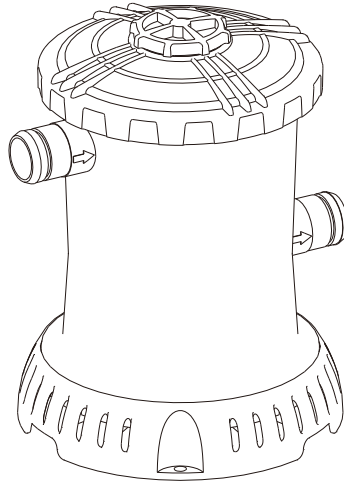


SUMMER WAVES[®]

CARTRIDGE FILTER PUMP

FOR ABOVE GROUND SWIMMING POOLS
RX600 / RX1000 / RX1500 models



READ AND KEEP THESE INSTRUCTIONS FOR FUTURE REFERENCE

For answers to common questions, setup videos and troubleshooting tips, please visit support.polygroupstore.com or call Customer Service: (888) 919-0070

DO NOT RETURN PRODUCT TO STORE

To order parts and accessories, please visit www.polygroupstore.com

Should you encounter a problem with your Polygroup[®] Product, please DO NOT return the product to the place of purchase. All Warranty claims must be made directly to Polygroup[®]. Prior to contacting Customer Service, please first review the Troubleshooting Guide in the Installation Manual, or review the FAQ and instructional videos at support.polygroupstore.com. If you are still unable to correct the problem, please contact Polygroup[®] Customer Service at (888) 919-0070. **Please have the product type, model number and your purchase receipt ready**, so that our Customer Service Representative can assist you in resolving the problem. You may be asked to return all or part of the product for inspection and/or repair. Do not return any product to Polygroup[®] without a Return Merchandise Authorization number.

LIMITED WARRANTY

Polygroup[®] Limited (Macao Commercial Offshore), (hereinafter "Polygroup[®]") warrants to the original purchaser only, the RX type Electric Filter Pump against defects in material and workmanship for **180 days from the date of purchase**. **Original Purchaser must retain proof of such purchase in the form of an original store sales receipt and must produce such upon request by Polygroup[®] or its designated agents.** Warranty claims cannot be processed without a valid proof of purchase.

This Limited Warranty applies only to the original purchaser of the product and is limited solely to the repair or replacement of the product, to be decided in Polygroup[®]'s sole discretion. **Consequential damages, including claims for loss of water, pool chemicals, damage, or labor are not covered under this Limited Warranty.** This Warranty will be declared invalid should the Purchaser modify or repair the product themselves or by unauthorized persons; use non-Polygroup[®] parts or accessories with the product; use the product in contravention of the manufacturer's Instructions; use improper voltage; abuse the product in any way; or through accident or negligence. Normal wear-and-tear is not covered under this Warranty, nor are acts of God outside the control of Polygroup[®]. Polygroup[®] will not be held responsible for grasses that may grow through the ground cloth and/or pool liner, as this is not a manufacturing defect.

IN NO EVENT SHALL Polygroup[®], THEIR AUTHORIZED AGENTS, RELATED ENTITIES, OR EMPLOYEES BE LIABLE TO THE BUYER OR ANY OTHER PARTY FOR DIRECT OR CONSEQUENTIAL DAMAGES. Some states or countries, or others jurisdictions, do not allow the exclusion or limitation of incidental or consequential damages, so the above limitation or exclusion may not apply to you.

TABLE OF CONTENTS

Warnings.....	3 ~ 6
Preliminary Steps & Filter Pump Important Notes & Filter Pump Power Information & Parts List.....	7 ~ 9
Setup Instructions.....	10 ~ 11
Filter Pump Operation & Motor Protection & Filter Cartridge Cleaning and Replacement	12 ~ 13
Pool Maintenance & Water Care.....	13
Troubleshooting Guide & Pump Disassembly and Storage.....	14
Pump Removal Instructions for Troubleshooting.....	15
Rotor Inspection and Replacement Instructions & Pump Replacement Instructions.....	16 ~ 17
Replacement Parts Ordering Information.....	18
ASME Compliant Suction Fitting Information.....	19

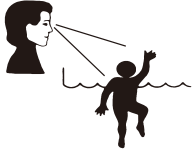
IMPORTANT SAFETY INSTRUCTIONS

When installing and using this electrical equipment, basic safety precautions should always be followed, including the following:

READ AND FOLLOW ALL INSTRUCTIONS

Keep for Future Reference. Failure to follow these warnings and instructions can result in serious injury or death to users, especially children.

WARNING



DANGER

PREVENT DROWNING!
CLOSELY WATCH CHILDREN WHO ARE IN OR NEAR THIS POOL. CHILDREN UNDER 5 ARE AT HIGHEST RISK FOR DROWNING. EMPTY POOL OR PREVENT ACCESS WHEN NOT IN USE.

NO DIVING!
SHALLOW WATER YOU CAN BREAK YOUR NECK AND BE PARALYZED.

WARNING

DO NOT SIT ON OR LAY OVER POOL WALL
YOU CAN BE PERMANENTLY INJURED.

AVOID ENTRAPMENT!
STAY AWAY FROM DRAINS & SUCTION FITTINGS. YOUR HAIR, BODY & JEWELRY CAN GET SUCKED INTO DRAIN. YOU COULD BE HELD UNDER WATER & DROWN. DO NOT USE POOL IF DRAIN OR SUCTION OUTLET COVER IS MISSING OR BROKEN.

NOTICE: CUSTOMERS THAT PURCHASE POOLS MAY BE REQUIRED BY LOCAL OR STATE LAW TO INCUR ADDITIONAL EXPENSES WHEN INSTALLING A POOL, IN ORDER TO COMPLY WITH STATE OR LOCAL LAWS REGARDING FENCING AND OTHER SAFETY REQUIREMENTS. CUSTOMERS SHOULD CONTACT THEIR LOCAL BUILDING CODE ENFORCEMENT OFFICE FOR FURTHER DETAILS. POLYGROUP® IS NOT RESPONSIBLE FOR ANY ADDITIONAL EXPENSES THAT YOU MAY INCUR.

Safety Care for Children

1. Children, especially children younger than five years, are at high risk of drowning. Drowning occurs silently and quickly and can occur in as little as 2 in. (5 cm) of water.
2. Keep children in your direct sight, stay close, and actively supervise them when they are in or near this pool and when you are filling and emptying this pool.
3. When searching for a missing child, check the pool first, even if the child is thought to be in the house.
4. Locate pumps and filters in such a way that children cannot climb on them and gain access to the pool.
5. **WARNING:** To reduce the risk of injury, do not permit children to use this product unless they are closely supervised at all times.

Swimming Pool Barriers

Very Important: Swimming pool barriers, which restrict access to the pool by small children, may be required by law. A barrier is necessary to provide protection against potential drowning and near drowning. Barriers are not a substitute for constant supervision of children. Check state or local laws and codes before setting up pool.

Swimming Pool Equipment

1. The use of artificial pool lighting is at the discretion of the pool owner. Lighting, when installed, should be in accordance with Article 680 of the National Electrical Code (NEC) or its latest approved edition and in consultation with a licensed electrical professional.
2. Keep all electrical lines, radios, speakers, and other electrical appliances away from the pool.
3. Do not place pool near or under overhead electrical lines.
4. All electrical components installed in and/or adjacent to an aboveground/onground residential swimming pool shall be installed in accordance with and shall comply with the requirements of the latest published edition of NFPA 70, National Electrical Code (NEC®) Article 680, Swimming pools, fountains, and similar installations, and any state or local code.

Filter Pump Awareness

1. **WARNING:** Risk of Electric Shock. Connect only to a grounding type receptacle. This product is provided with a ground-fault circuit-interrupter. If replacement of the plug or cord is needed, use only identical replacement parts.
2. **WARNING:** To reduce the risk of electric shock, replace damaged cord immediately.
3. **WARNING:** To reduce the risk of electric shock, do not use extension cord to connect unit to electric supply; provide a properly located outlet.
4. **CAUTION:** To reduce the risk of electric shock, the pool must be installed no closer than 6 feet (1.8m) from any electrical outlet. Do not place portable appliances closer than 5 feet (1.5m) from the pool.
5. **CAUTION:** This pump is for use with storable pools only. Do not use with permanently-installed pools. A storable pool is constructed so that it is capable of being readily disassembled for storage and reassembled to its original integrity. A permanently-installed pool is constructed in or on the ground or in a building such that it cannot be readily disassembled for storage.

Should you encounter any problems, contact Customer Service at (888) 919-0070 from 8 AM to 5 PM Mon. thru Fri. MST. Extended operating days and hours during peak season requirements.

6. **CAUTION:** For continued protection against possible electric shock this unit is to be mounted to the base in accordance with the installation instructions.
7. Do not bury cord. Locate cord to minimize abuse from lawn mowers, hedge trimmers, and other equipment.
8. The unit is provided with a ground-fault circuit-interrupter (GFCI). To test the GFCI, push the test button. The GFCI should interrupt power. Push the reset button. Power should be restored. If the GFCI fails to operate in this manner, the GFCI is defective. If the GFCI interrupts power to the pump without the test button being pushed, a ground current is flowing, indicating the possibility of an electric shock. Do not use this pump. Disconnect the pump and have the problem corrected by a qualified service representative before using.
9. The Filter Pump is to be assembled by an adult; care should be taken in the unpacking and assembly of the Filter Pump, this pool may contain accessible potentially hazardous sharp edges or sharp points that are a necessary part of the function of the Filter Pump.
10. If a drain or suction outlet cover is missing or broken, do not use the pool. Suction can cause body part entrapment, hair and jewelry entanglement, evisceration, or drowning. Repair or replace the drain or suction outlet cover before allowing the pool to be used.. During nighttime pool use, artificial lighting shall be used to illuminate all safety signs, ladders, steps, deck surfaces and walks.
11. The floor of the pool shall be visible at all times from the outside perimeter of the pool.
12. Post a list of emergency telephone numbers such as the nearest available police, fire, ambulance and/or rescue unit. These numbers are to be kept near the telephone, which is closest to the pool.
13. Basic lifesaving equipment, including one of the following should be on hand at all times:
 - A light, strong, rigid pole (shepherds crook) not less than twelve feet (12') [366 cm] long.
 - A minimum one-fourth inch (1/4") [6.35 mm] diameter rope as long as one and one half (1-1/2) times the maximum width of the pool or fifty feet (50') [15.24 meters], whichever is less, which has been firmly attached to a Coast Guard-approved ring buoy having an outside diameter of approximately fifteen inches (15") [38.1 cm], or similarly approved flotation device.
14. Pool shall be located at a minimum distance of 6 ft (1.83 m) from any receptacle, and all 125-volt 15- and 20-ampere receptacles located within 20 ft (6.0 m) of the pool shall be protected by a ground fault circuit interrupter (GFCI), where distances are by measuring the shortest path the supply cord of an appliance connected to the receptacle would follow, without piercing a floor, wall, ceiling, doorway with hinged or sliding door, window opening, or other effective permanent barrier, to the inside wall of the pool.

Circulation Systems

1. Installers shall follow written instructions regarding positioning of all equipment connected to the circulation systems.
2. The installer shall follow written instruction provided for operation of the circulation system components.
3. All circulation system components and pump that require replacement or servicing shall be installed according to the pump's instruction manual.
4. Circulation equipment shall be installed per manufacturer's instructions to provide proper mounting and support, to prevent damage from misalignment, settlement, and vibration, and to minimize the potential for the accumulation of debris and moisture. Please refer to pump's instruction manual.

Chemicals

For safety sake, ensure the deepest part of the pool is always visible. The user must properly maintain the clarity of the pool water at all times. Check the pH and chlorine levels periodically and make sure they are within the recommended limits. Additional water treatment chemicals might be needed from time to time. Have the water sample tested by a local pool supply store to determine if additional chemical is needed. Turn on the pump for the recommended hours daily. If you are unsure of the time frames please refer to support.polygroupstore.com for the recommended Pump Operation Hours based on pool types and sizes. Clean and replace filter cartridge frequently. Replace only with genuine Polygroup®/ Summer Wave® Brand filter cartridge. Refer to the Filter Pump manual for additional water care information.

Entrapment Risk

1. **Entrapment Avoidance:** There shall be no protrusions or other obstruction in the swimming area, which may cause entrapment or entanglement of the user. If a suction outlet cover is missing or broken, do not use the pool. Suction can cause body part entrapment, hair and jewelry entanglement, evisceration, or drowning. Repair or replace the suction outlet cover before allowing the pool to be used.
2. **DANGER! TO AVOID SERIOUS INJURY OR DEATH, CLOSE THE POOL OR SPA TO BATHERS IF ANY SUCTION OUTLET COVER/GRATE IS MISSING, BROKEN, OR INOPERATIVE.**
3. Never play or swim near drains or suction fittings. Your body or hair may be trapped causing permanent injury or drowning.
4. Never enter the pool or spa if a suction fitting or drain cover is loose, broken, or missing.
5. Immediately notify the pool/spa owner or operator if you find a drain cover loose, broken, or missing.

Drowning Risk

1. Keep unsupervised children from accessing the pool by installing fencing or other approved barriers around all sides of pool. State or local laws or codes may require fencing or other approved barriers. Check state or local laws and codes before setting up pool.
2. Toys, chairs, tables, or similar objects that a young child could climb shall be at least four feet (4') [121.92 cm] from the pool. The pump filter system shall be positioned so as to prevent it being used as a means of access to the pool by young children. Do not leave toys inside pool when finished using, since toys and similar items might attract a child to the pool.
3. Position furniture (for example: tables, chairs) away from pool and so that children cannot climb on it to gain access to the pool.

Electrocution Risk

1. Keep all electrical lines, radios, speakers, and other electrical appliances away from the pool.
2. Do not place pool near or under overhead electrical lines.

First Aid

1. Keep a working phone and a list of emergency numbers near the pool.
2. Become certified in cardiopulmonary resuscitation (CPR). In the event of an emergency, immediate use of CPR can make a lifesaving difference.

Special Warning

1. Local building codes may require obtaining a building or electrical permit. Installer shall follow regulations on setback, barriers, devices, and other conditions.
2. Safety signs shall comply with requirements of ANSI-Z535 and use signal wording.
3. DO NOT attempt to assemble this pool in adverse weather conditions, windy conditions, or when the temperature is below 60°F.
4. This is a storable filter pump, which should be disassembled and stored when temperatures are expected to fall below 32°F.

Extra Safety Warning

1. Adult supervision is always required.
2. Parents should learn CPR.
3. Keep all electrical radios, speakers, and other appliances away from the swimming pool.
4. When you touch the filter, pump, or electrical parts, be sure the ground under your feet is "Bone Dry."
5. All electrical outlets should have a GFCI, and connections should be a minimum of 6 feet (1.83 m) from the outside perimeter of the wall of the pool. From 6–10 feet (1.83–3.05 m), there should be either a fixed connection (outlet box) or twistlock connection with a GFCI.
6. Connect power cords to a 3-wire grounding-type outlet only.
7. Keep all breakable objects out of the pool area.
8. Alcohol consumption and pool activities do not mix. Never allow anyone to swim, dive, or slide while under the influence of alcohol or drugs.
9. Severe electrical shock could result if you install your pump or filter on a deck. The pump or filter could fall into the water, causing severe shock or electrocution.
10. Do not install on a deck or other surface at, above, or slightly below the top rail of the pool.
11. Do not use the filter pump during severe weather conditions, i.e. electrical storms, tornadoes, etc.
12. Be aware of overhead power lines when vacuuming your pool or using a telescoping pole.
13. Check regularly for signs of wear that could make the pool unsafe.
14. Please contact pool site dealer or manufacturer for additional safety signs if deemed necessary.
15. For pool service, select a certified pool professional.

For additional safety information, see www.APSP.org.

Consumer Awareness Booklets and Information Source

Contact: U.S. Consumer Product Safety Commission at www.CPSC.gov/cpsc/pub/pubs/pool/pdf, Pub. #362 "Safety Barrier Guidelines for Home Pools."

1. The Sensible Way to Enjoy Your Aboveground/Onground Swimming Pool
2. Children Aren't Waterproof
3. Layers of Protection
4. Pool and Spa Emergency Procedures for Infants and Children
5. Be Safety Aware Copies of the above brochures are available free from the APSP. Go to: www.APSP.org.

Safety Education Programs and Materials Educational programs and materials (i.e., seminars, workshops, brochures, videos, instructional guides) are available from the APSP, other aquatic safety groups, and by private firms. As a means of communicating useful safety information to pool owners/operators, and users, industry members are permitted to provide such information to owners/operators and to request or require owners/operators to sign a statement that they have received, read, and will follow the guidelines.

Other sources of safety information:

- www.cdc.gov
- www.cpsc.gov
- www.drowningpreventionalliance.com
- www.nspf.org
- www.safekids.org

ANSI American National Standards Institute

25 West 43rd Street, New York NY 10036
Contact: 212-642-4900
www.ansi.org

APSP Association of Pool & Spa Professionals

(formerly National Spa and Pool Institute)
2111 Eisenhower Avenue, Suite 500
Alexandria VA 22314-4679
Contact: 703-838-0083
www.apsp.org

Should you encounter any problems, contact Customer Service at (888) 919-0070 from 8 AM to 5 PM Mon. thru Fri.
MST. Extended operating days and hours during peak season requirements.

ASME American Society of Mechanical Engineers

Two Park Avenue, New York NY 10016-5990
Contact: 800-843-2763 (U.S. & Canada) 973-882-1170 (outside North America)
www.asme.org

NSPI National Spa and Pool Institute (see APSP)**UL Underwriters Laboratories**

333 Pfingsten Road, Northbrook IL 60062-2096
Contact: 877-854-3577 or 847-272-8800
www.ul.com

NSF NSF International

P.O. Box 130140
789 N. Dixboro Road
Ann Arbor MI 48105
Contact: 800-673-6275 or 734-769-8010
www.nsf.org

ASTM ASTM International (formerly American Society of Testing & Materials)

100 Barr Harbor Drive, P.O. BOX C700
West Conshohocken, PA 19428-2959
Contact: 877-909-2786 (USA & Canada) or 610-832-9585 (International)
www.astm.org

NEC National Electrical Code (see NFPA)

NFPA National Fire Protection Association
1 Batterymarch Park, Quincy MA 02169-7471
Contact: 800-344-3555 (U.S. & Canada) or 617-770-3000 (International)
www.nfpa.org

Filtration Systems

Any equipment connected to the circulation systems shall be positioned so as to prevent their being used as a means of access to the pool by young children. (See the latest published edition of ANSI/ APSP-8 Model Barrier Code for Residential Swimming Pools, Spas, and Hot Tubs.)

Barrier

Barriers are necessary to provide protection against potential drowning and near drowning, and barriers are not a substitute for the constant supervision of children. (See latest published edition of ANSI/APSP-8 Model Barrier Code for Residential Swimming Pools, Spas, and Hot Tubs.)

Risk of Drowning, Entrapment, and Diving Accidents

Publications are available that describe the risk of drowning, entrapment, and diving accidents. Available publications related to pool safety include the Association of Pool and Spa Professionals' (APSP) booklets entitled: The Sensible Way to Enjoy Your Aboveground/ Onground Swimming Pool, Children Aren't Waterproof, Pool and Spa Emergency Procedures for Infants and Children, Layers of Protection, and the latest published edition of ANSI/APSP-8 Model Barrier Code for Residential Swimming Pools, Spas, and Hot Tubs.

Installer Responsibilities

All of these components shall be positioned so as to prevent their being used as a means of access to the pool by young children. (See Barrier Code for Residential Swimming Pools, Spas, and Hot Tubs.)

SAVE THESE INSTRUCTIONS

PRELIMINARY STEPS

1. READ ALL INSTRUCTIONS CAREFULLY and get a thorough understanding of what is required to assemble your RX series Filter Pump.
2. Before you begin to assemble the pool, identify, count, and check all parts needed for assembly.
3. It is recommended that you have some PETROLEUM JELLY on hand for lubricating the gaskets.

FILTER PUMP IMPORTANT NOTES

1. Installer shall follow written instructions provided for operation of the filter pump systems.
2. All electrical components shall be installed in accordance with Article 680 of the National Electrical Code (NEC) "Swimming Pools, Fountains and Similar Installations" or its latest approved edition.
3. The Type D Filter Cartridge **20** will hold as many as 2 of the 1" diameter chlorine tablets and the Type A/C Filter Cartridge **20** will hold as many as 6 of the 1" diameter chlorine tablets. Check your chlorine levels to determine the proper number of chlorine tablets to add. The filter cartridge will automatically dispense chlorine into the pool as the Filter Pump runs. You must have the type of Filter Cartridge **20** with a central core mesh divider (See page 9) to use the chlorine dispenser. **DO NOT use this to dispense powdered chlorine, shock treatment, or any other type of chemicals as damage to the pump, filter cartridge, and pool will occur.**
4. The RX Series Filter Pump systems are manufactured by Polygroup® and ETL control number 4000608 and 4006317 - double insulated and grounded - 120 Volts A.C. - 60 Hz. (ALL Units must have a minimum of 105 V.A.C. to start and run properly.)

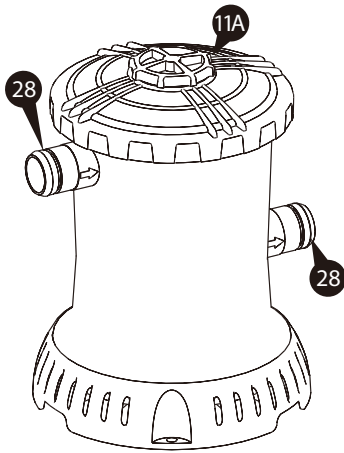
FILTER PUMP POWER INFORMATION

FILTER PUMP MODEL	WATTAGE	AMPERAGE
RX-600	65 watts	1.7amps
RX-1000	105 watts	1.4amps
RX-1500	175 watts	3.1amps

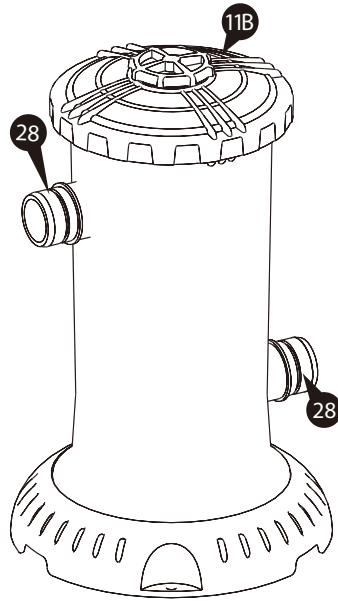
PARTS LIST

ITEMS	PARTS NAME	QTY.	ITEMS	PARTS NAME	QTY.
1	Fitting Gasket	2	14	Seal Top	1
2	Suction Fitting	1	15	Pump Base	1
3	Suction Fitting Thrust Washer (SF Washer)	1	16	Canister Gasket (Motor Seal)	2
4	Fitting Lock Nut	2	17	Filter Pump Canister	1
5	Suction Fitting Cap (SF/Service Cap)	1	18	Rubber Nozzle / Gasket	1
6	Return Fitting	1	19	Pump Motor Assembly	1
7	Return Fitting Diverter (RF Diverter)	1	20	Type D Filter Cartridge (RX600 only)	1
8	Return Fitting Plug (RF/Service Plug)	1	21	Type A/C Filter Cartridge (RX1000 & RX1500)	1
9	Hose	2	22	Pump Body (Image Reference Only)	1
10	Hose Camp	4	23	Rotor Assembly	1
11	Filter Pump Assembly (Image Reference Only)	1	24	Volute Cover	1
	A) RX600		25	Volute Cover Lock Nut (RX600 & RX1000)	1
	B) RX1000		26	Volute Cover Bolt and Nut Set (RX1500 only)	1 set
	C) RX1500		27	GFCI Power Cord Set (Image Reference Only)	1
12	Vent Screw	1	28	O-Ring for Hose Connections	4
13	Vent Screw O-Ring	1			

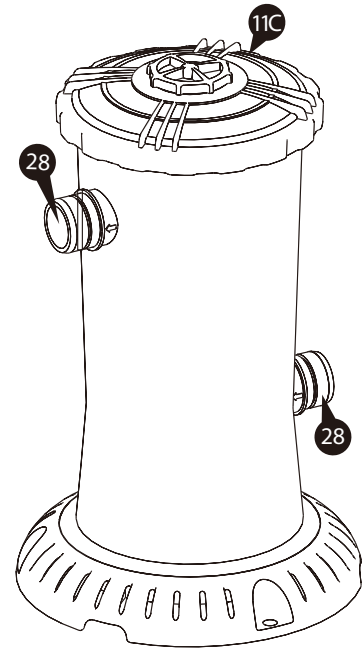
Should you encounter any problems, contact Customer Service at (888) 919-0070 from 8 AM to 5 PM Mon. thru Fri. MST. Extended operating days and hours during peak season requirements.



RX600

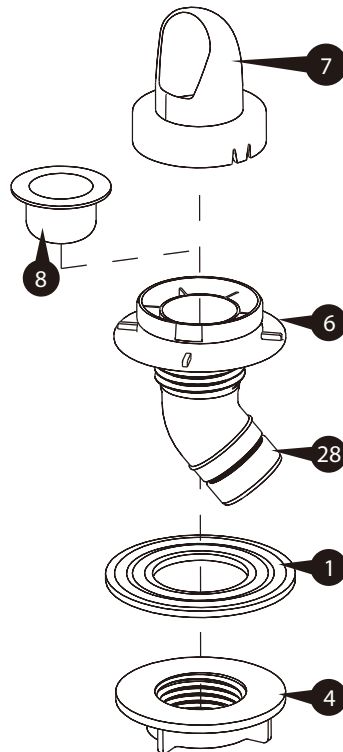


RX1000

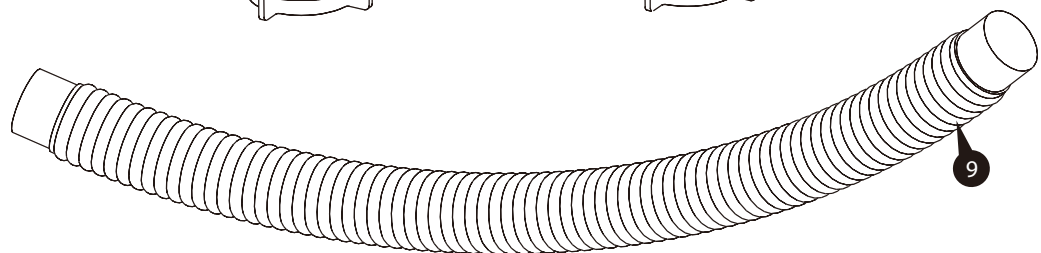
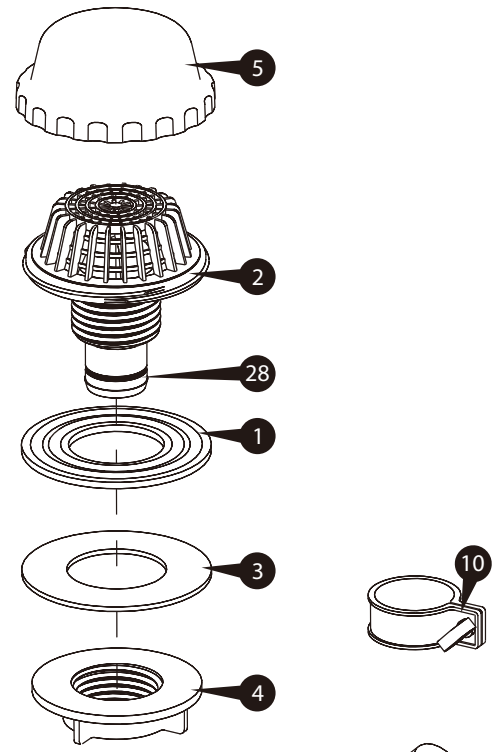


RX1500

RETURN FITTING



SUCTION FITTING



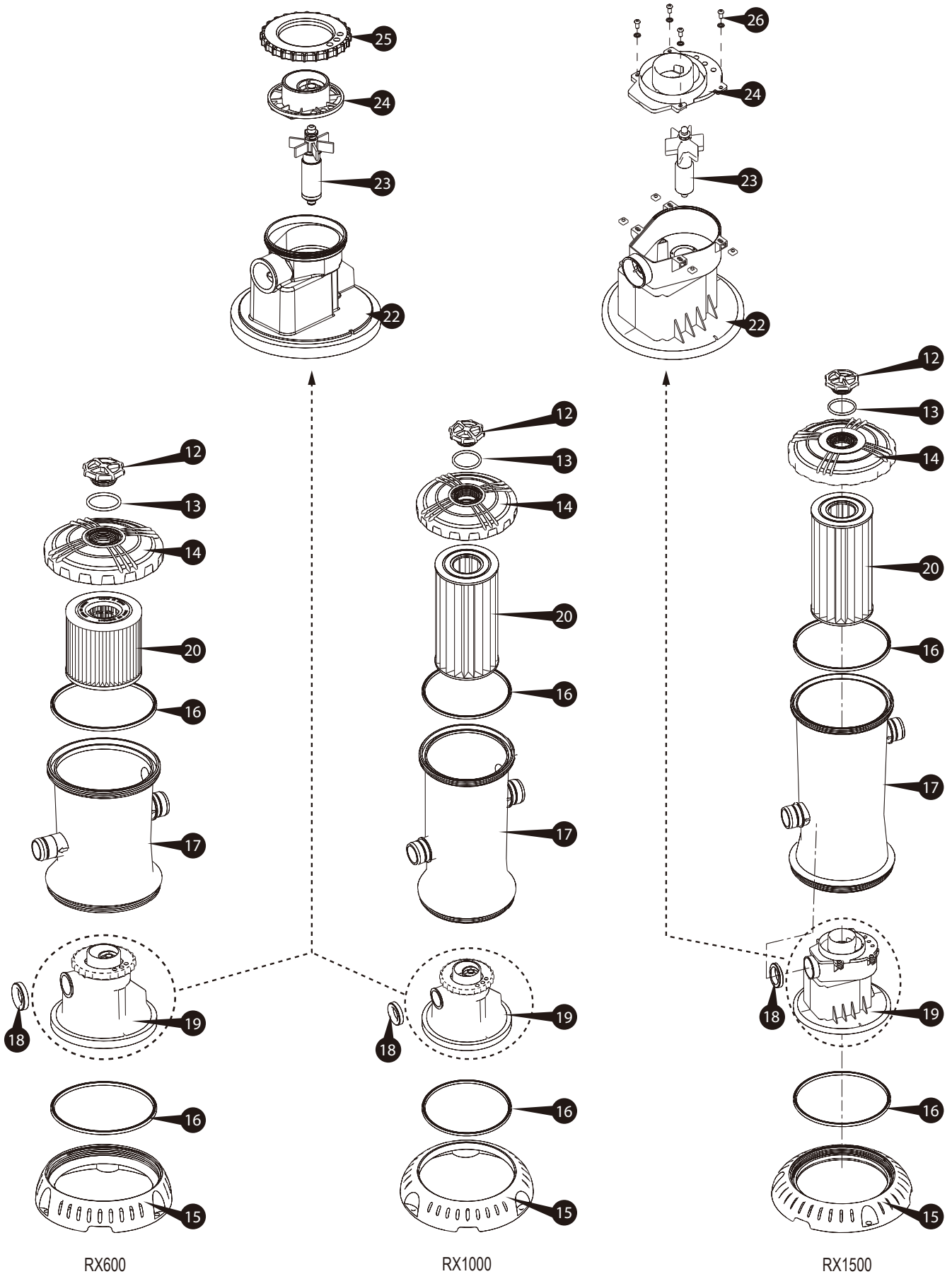
How to use the GFCI plug

Press "RESET" Button To Start Pump Operation

*Do not connect to a timer device

Should you encounter any problems, contact Customer Service at (888) 919-0070 from 8 AM to 5 PM Mon. thru Fri. MST. Extended operating days and hours during peak season requirements.

THE FILTER CARTRIDGE (20) WILL HOLD 1" DIAMETER CHLORINE TABLETS. CHECK YOUR CHLORINE LEVELS TO DETERMINE THE PROPER NUMBER OF TABLETS TO ADD.



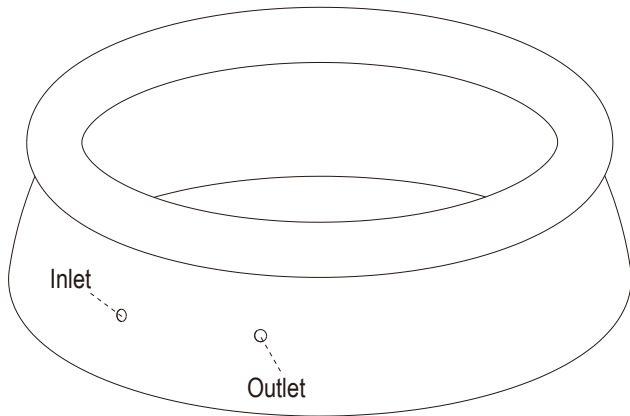
Should you encounter any problems, contact Customer Service at (888) 919-0070 from 8 AM to 5 PM Mon. thru Fri. MST. Extended operating days and hours during peak season requirements.

SETUP INSTRUCTIONS

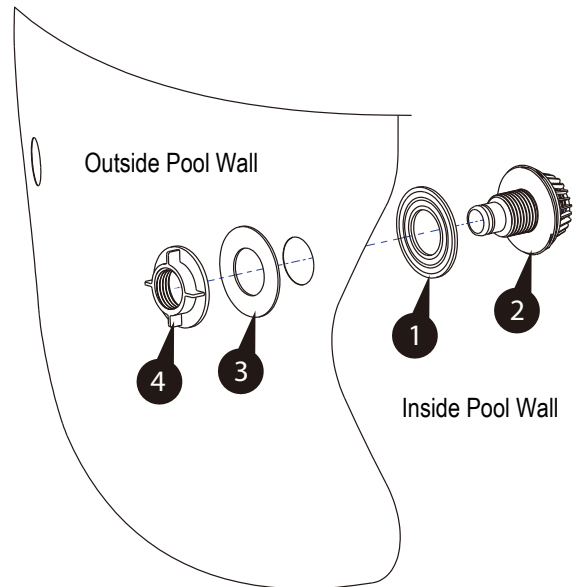
Before assembling your product, please take a few minutes to check the contents and become familiar with all the parts.

⚠ WARNING: CLIMBING HAZARD! PLEASE PREVENT CHILDREN FROM CLIMBING ON THE FILTER CANISTER TO GAIN ACCESS TO THE POOL.

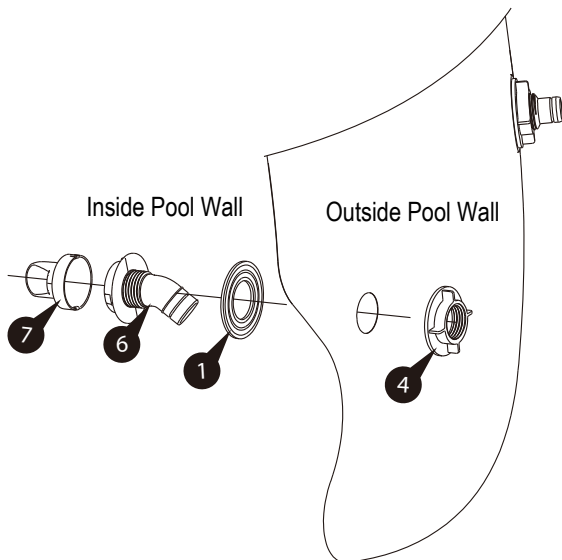
1. Set up the pool by following all the instructions that come with the pool. Do not fill water until the Filter Pump is properly installed. Locate the Outlet and Inlet openings on the pool wall.



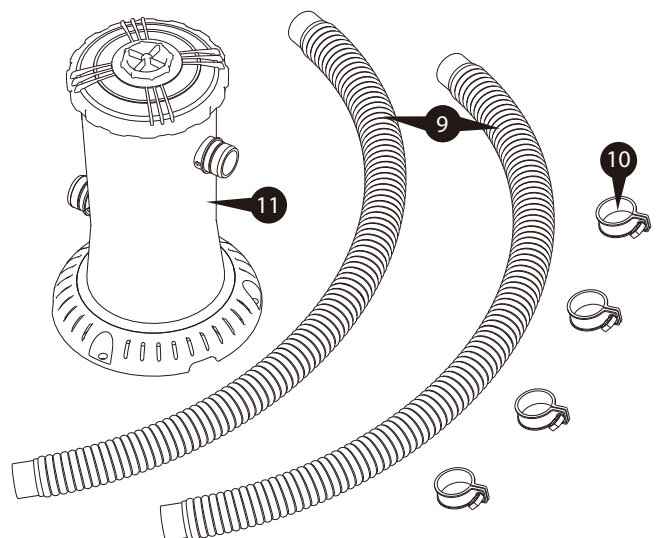
2. Install the Suction Fitting on the outlet opening of the pool.



3. Install the Return Fitting on the inlet opening of the pool.

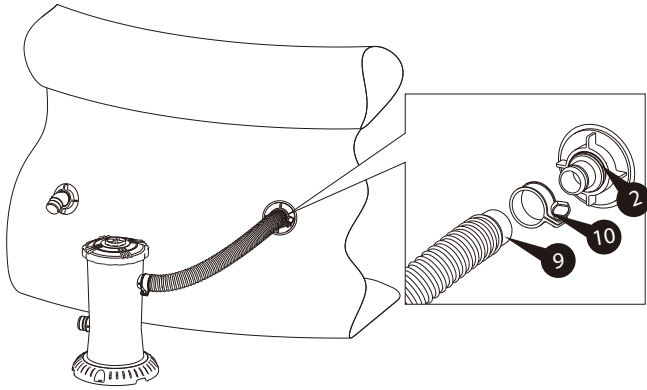


4. Remove the Filter Pump Assembly (11), Hoses (9), and Hose Clamps (10) from the package.

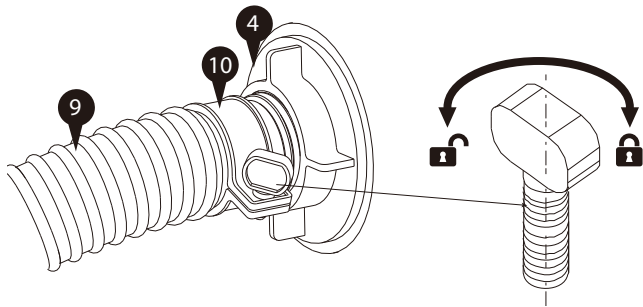


Should you encounter any problems, contact Customer Service at (888) 919-0070 from 8 AM to 5 PM Mon. thru Fri. MST. Extended operating days and hours during peak season requirements.

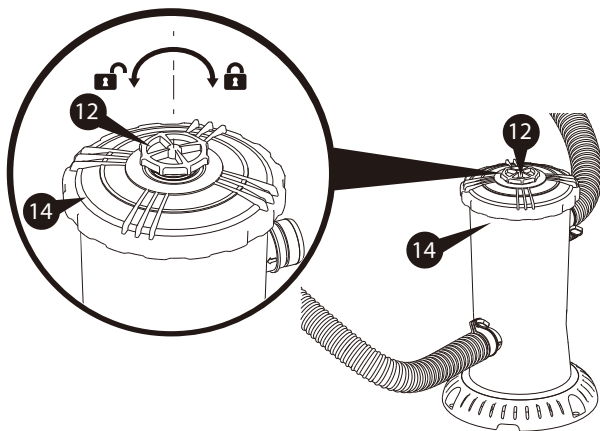
5. Connect the Hose 9 from the Suction Fitting 2 to the Filter Pump Inlet.



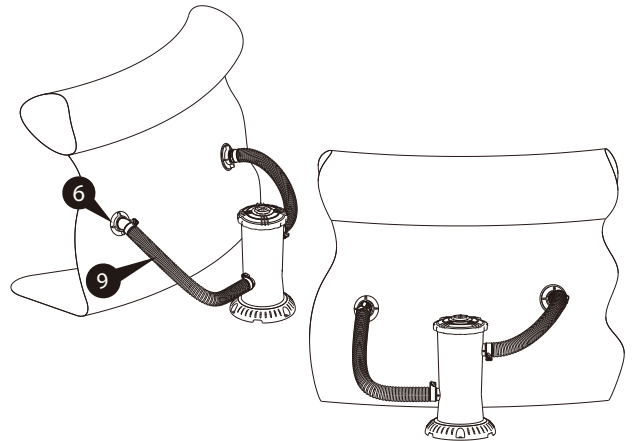
7. Tighten all Hose Clamps 10 to prevent water leakage.



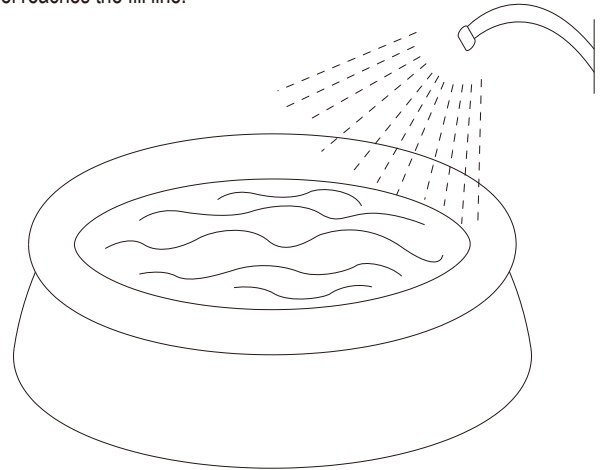
9. Air is now trapped inside the Filter Pump system, which will prevent the water from flowing smoothly. To VENT the system (release the trapped air), open the Vent Screw 12 at the top of the pump by turning it counter-clockwise. The water pressure will force out all the trapped air inside the Filter Pump system. Tighten the Vent Screw 12 when you see water flowing out from the Seal Top 14.



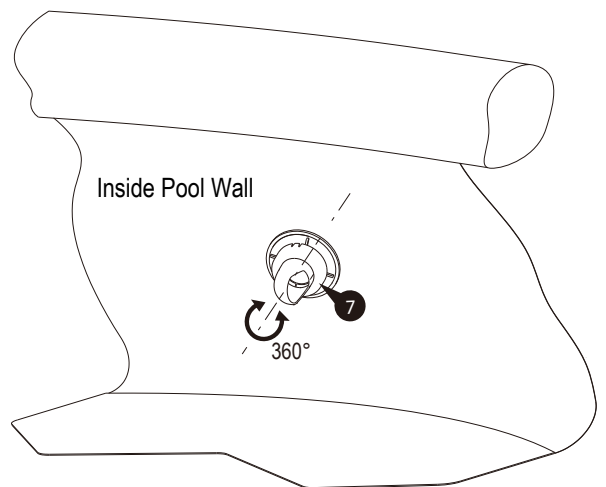
6. Connect the Hose 9 from the pool Return Fitting 6 to the Filter Pump outlet.



8. Do not plug in the filter pump at this point. Begin to fill water until the water level reaches the fill line.

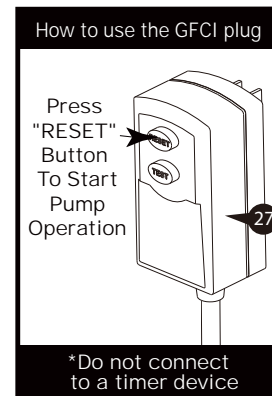


10. Adjust the Return Fitting Diverter 7 to maximize the circulation of the pool water. It is recommended to point the diverter down and away from the suction or water intake for optimum pool circulation.



FILTER PUMP OPERATION

1. Plug the GFCI power cord to a properly grounded receptacle. It is recommended that the outlet is at least 15 feet (4.5m) away from the pool.
2. **IMPORTANT:** To start the filter pump, press the RESET button on the GFCI plug **27**.
3. Check the return fitting on the inside of the pool for correct flow; it should feel like a solid stream of water returning to the pool. You can use the return flow as a gauge to determine when the filter needs cleaning or replacement. If you feel a reduction in flow, clean or replace filter.
4. Test water and adjust chemicals as needed, read - "POOL WATER CARE". **VERY IMPORTANT- FILTER PUMP ALONE WILL NOT PREVENT ALGAE FROM GROWING IN POOL WATER; THIS CAN ONLY BE DONE BY MAINTAINING PROPER CHLORINE AND pH LEVELS AT ALL TIMES!**
5. The filter cartridge may need to be cleaned and/or replaced several times at start up until the correct chlorine and pH levels are attained. We recommend that you keep at least one spare filter cartridge on hand at all times. Filter cartridges may be purchased at the store you purchased your pool from, or ordered from Polygroup® at polygroupstore.com.
6. To turn off the filter pump, press the test button and unplug the GFCI power cord **27**.

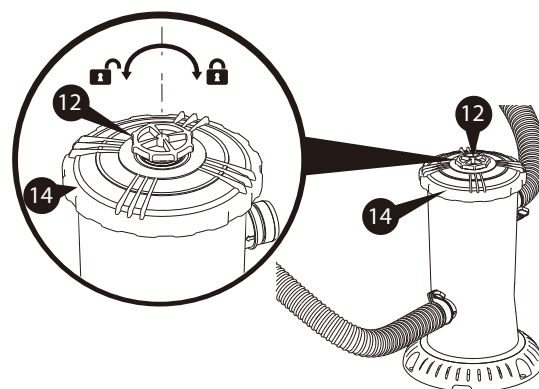
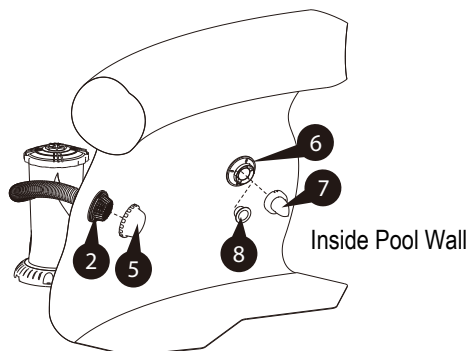


PUMP MOTOR PROTECTION

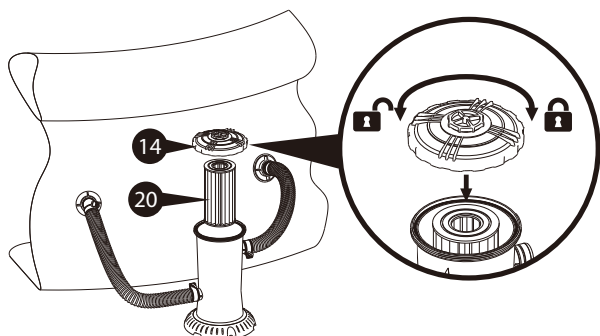
IMPORTANT! Your filter pump is protected by a thermal switch. The switch senses the temperature of the filter pump. If it gets too hot, the switch will stop the pump from running until it cools off. To restart the pump press the reset button on the GFCI when the filter pump has cooled down. This is a safety device to prevent pump damage and prolong service life. If your pump is automatically turning off, it is because of high pool water temperature and/or low water flow through the pump. If this happens you need to check the water flow and correct it if needed, as this filter pump uses the water flow for cooling. You may also want to run the pump at night when the temperature is lower.

FILTER CARTRIDGE CLEANING AND REPLACEMENT

1. Turn off & unplug the Filter Pump. Remove the RF Diverter **7** from the Return Fitting **6** and plug with the RF Plug **8**. Hand tighten the SF Cap **5** onto the Suction Fitting **2**.
2. To depressurize the Filter Pump system, vent the filter pump by twisting the Vent Screw **12** counter-clockwise.



3. Use both hands to twist off the Seal Top **14** by turning counter-clockwise. Remove the Filter Cartridge **20**.



4. After you are finished cleaning the filter cartridge, liberally lubricate the GASKET **16** with petroleum jelly and re-assemble in reverse order. Before restarting the filter pump, be sure to remove the RF PLUG **8** and SF CAP **5**.
5. The filter cartridge can be cleansed of coarse dirt and debris by pressure washing inside and out with a garden hose, making sure to wash between all pleats. Fine particles of dirt are more easily removed from the filter pleats when the cartridge is dry. Therefore, after hosing the cartridge, allow the filter to dry and CAREFULLY BRUSH, but DO NOT scrub the pleated surface areas. Cleaning and scrubbing a filter too vigorously will also wear out the cartridge much faster than if it is simply hosed off correctly.

Should you encounter any problems, contact Customer Service at (888) 919-0070 from 8 AM to 5 PM Mon. thru Fri. MST. Extended operating days and hours during peak season requirements.

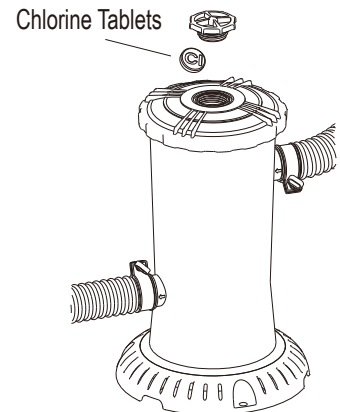
6. Suntan oils, body oils, and algae can form a coating on the filter pleats which may not be thoroughly removed by hosing. Such films of oils and/or algae will rapidly clog up the filters' pores, greatly reducing filtration. Therefore, it is imperative to remove such materials from the filter element as soon as possible. To remove oils, we recommend soaking the cartridge in a solution of 1 pound of tri-sodium phosphate (TSP or any other strong detergent) to 5 gallons of water for up to 12 hours. Tri-sodium phosphate is available in many supermarkets, hardware stores, or janitorial supply stores. After the oils have been removed, rinse the filter cartridge to remove any dirt. If algae is a problem, add 1/2 pint of pool chlorine or 1 pint of liquid household bleach to the cleaning solution, 1 hour before removing the filter cartridge from the solution. Thoroughly rinse the filter cartridge before replacing it in the filter case. Check the pool chemistry to determine the cause of algae growth.
7. Excessive calcium and/or mineral deposits may build up on a filter cartridge and should be handled differently. Contact your local pool supply store to ask about additional filter cartridge cleaners or treatment for calcium or mineral deposits. Check pool chemistry for high pH or alkalinity; this may cause a calcium or mineral build-up.
8. A spare "stand-by" Filter Cartridge 20 is an excellent investment. It provides a convenient way to continue filtration of your pool while cleaning or replacing a dirty Filter Cartridge 20. Also, a well-maintained, clean cartridge assures you that your filter will always be ready to operate at peak efficiency.
9. Filter cartridges may be purchased at the store you purchased your pool from, or ordered from Polygroup® at polygroupstore.com. Always replace with genuine Polygroup® SUMMER WAVES® filter cartridges.

POOL MAINTENANCE

1. Check and adjust pH and chlorine levels daily using required chemicals. See Section "POOL WATER CARE."
2. Check filter pump output daily. If flow is reduced, see Symptom 2 in Section "TROUBLE SHOOTING GUIDE."
3. Check filter pump, hoses, fitting for leaks. If a leak is found, see Symptom 4 in Section "TROUBLE SHOOTING GUIDE."
4. Run the pump for the recommended number of hours daily. If you are unsure of the time frame please refer to support.polygroupstore.com for the recommended "Pump Operation Hours" bases on pool types and sizes.

POOL WATER CARE

1. The following items are required and readily available from your local pool supply store:
 - TEST KIT - Used to check chlorine and pH levels.
 - 1" CHLORINE TABLETS - Used to disinfect pool water and help control the growth of algae.
 - pH CONTROL CHEMICALS - Used to adjust pH levels Up (Soda Ash) or Down (Acid).
 - ALGAECIDES - Used to eliminate algae.
 - SUPERCHLORINATOR - Used to destroy combined chlorine, ammonia, nitrogen, and organic compounds.
 - LEAF NET with handle - Used to remove leaves, trash, insects, etc. from pool. This item can be purchased at polygroupstore.com.
 - CHLORINE DISPENSER (Supplied with Polygroup®'s patented Filter Cartridge U.S. Pat. 7,005,062) - Used to dispense 1" chlorine tablets ONLY.
See Section "FILTER PUMP IMPORTANT NOTES" on page 7.



2. Use test kit daily to check pH and chlorine levels. Adjust accordingly using the required chemicals.
NOTE : Excessive levels of chlorine or low pH levels will damage pool liner.
3. The pool can be cleaned using a garden hose powered vacuum from Polygroup®. This item can be purchased at polygroupstore.com.
4. Using a foot bath near the pool to wash off your feet prior to entering the pool will assist in keeping the pool clean.
5. **Well water** often presents special problems with water chemistry. If you must use well water, take a sample to your local pool chemical supplier for analysis before adding ANY chemicals.
6. Refer to the retail package box or visit the support pages at support.polygroupstore.com for the capacity of your pool. You will need this information to determine the amount of chemicals you will need to correct the pool water. NOTE: It is recommended to use a 5 gallon bucket of water to mix and dissolve your chemicals and then applying directly to the pool water. Follow manufacturer's label directions on all chemicals.*Most pool supply stores will test your pool water for free and advise you of what chemicals you need, and the correct amount to use for your pool. You will need to tell them the pool capacity in gallons.
7. **IMPORTANT** - We cannot over-stress the importance of proper and adequate daily chemical treatment. Chlorine and pH levels **must be** properly maintained at all times. **PUMP AND FILTER ALONE WILL NOT PREVENT ALGAE FROM GROWING IN POOL WATER; THIS CAN ONLY BE DONE BY MAINTAINING PROPER CHLORINE AND pH LEVELS AT ALL TIMES.**
 - Maintain pH level between 7.3 and 7.8.
 - Maintain chlorine level between 1.0 and 1.6 ppm (parts per million).
 - Superchlorinate your pool at least every other week.

NOTE :

1. Hot weather/heavy use may require pH and chlorine levels to be maintained on the upper side of the scale and superchlorination of the pool every week.
2. Using a pool cover and/or solar cover (available at polygroupstore.com) will assist in maintaining your pH and chlorine levels by reducing the amount of evaporation from your pool.

CAUTION - Concentrated chlorine levels and low pH levels will damage pool. You must follow the instructions for the pool chemicals you use, as to quantity and recommended usage. **NEVER** drop lumps or pellets of chemicals in pool; this may present a hazard to swimmers and/or damage your liner.

TROUBLESHOOTING GUIDE

⚠ WARNING: TURN OFF THE PUMP AND UNPLUG THE POWER CORD BEFORE TROUBLESHOOTING THE FILTER PUMP.

	SYMPTOM	CAUSE	SOLUTION
1	Motor fails to start or kicks on and off	A Unit Not Plugged In	A Plug the GFCI into a 3-wire grounded outlet and press the reset button to turn pump on.
		B GFCI Outlet Breaker Tripped	B Reset circuit breaker on electrical panel. If problem persists, have an electrician check circuit.
		C Low voltage	C Check the line voltage, it must be in the range of 105 to 125 AC Volts.
2	No or slow water flow through the return fitting.	A Low pool water level	A Fill the pool to the fill line. The suction fitting must be at least 4" under water.
		B Inlet/Outlet clogged	B Check for obstructions(s) at the filter cartridge, suction fitting or return fitting.
		C Dirty filter cartridge	C Clean or replace the filter cartridge. See page 12; A spare cartridge makes service more convenient.
3	Filter pump is not cleaning the pool properly(Cloudy water, green.....etc.)	A Chlorine level	A Maintain chlorine level between 1.0 to 1.6 ppm.
		B pH level	B Maintain pH level between 7.3 to 7.8.
		C Dirty filter cartridge	C Clean or replace the filter cartridge. (See page 12). Spare cartridges make service easier.
		D Damaged filter cartridge	D Inspect the filter cartridge for holes or tears. If visibly damaged; replace the filter cartridge.
		E Slow water flow	E Check for obstructions(s) at the filter cartridge, suction fitting or return fitting.
		F Other chemicals required	F Have the pool water sample tested by a pool supply store. It may be necessary to add other chemicals due to varying water quality in different localities.
		G Pool water very dirty	G Chemicals are required to maintain clean pool water. Clean pool and filter more often.
4	Water leakage	A At Suction/Return Fittings or Hose connections	A Make sure hose clamps are positioned properly over the hose and o-ring to ensure a proper seal. Adjust hose clamp, check o-ring and re-tighten. Check hose for any holes or cracks and replace if needed.
		B Vent Screw in Seal Top	B Check O-ring 13 for damage. Replace if needed. Tighen the Vent Screw 12 .
		C Seal Top	C Check Canister Gasket 16 for damage. Replace if needed. Tighten the Seal Top 14 .
		D Pump Base	D 1) Check the Canister Gasket 16 for damage. Replace if needed. Tighten the Base 15 . 2) The Canister Gasket must sit in the groove in the bottom of the canister before installing the pump. 3) Check pump alignment. The arrow with the indentation on the pump MUST point to the matching indentation on the canister. 4) Make sure that the Pump Base is not cross threaded on the Canister.

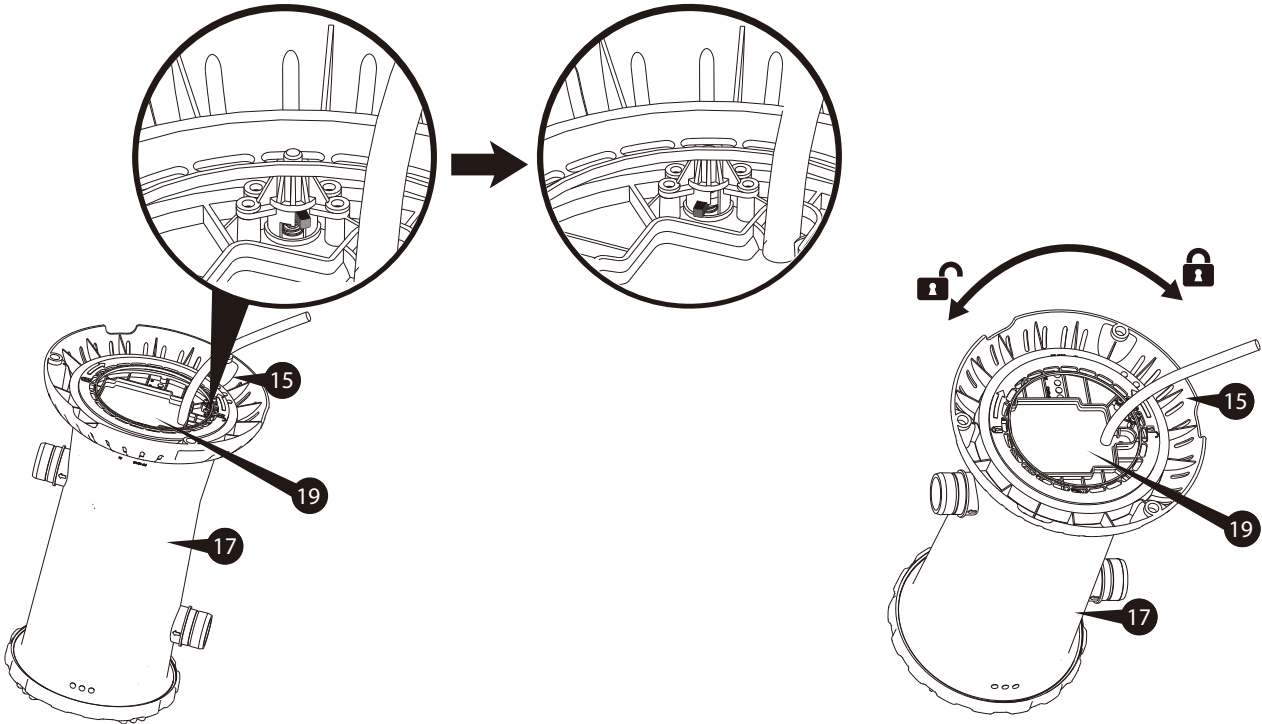
POOL PUMP DISASSEMBLY & STORAGE

1. First, turn the pump off and unplug the main power cord of the system.
2. Remove the RF Diverter **7** from the Return Fitting **6** and then plug the Return Fitting **6** with the RF Plug **8** Now, hand tighten the SF Cap **5** onto the Suction Fitting **2**.
3. Slowly unscrew the Vent Screw **12** from the Seal Top **14** allowing the Filter Pump to depressurize.
4. Remove the Seal Top **14** by turning counter-clockwise.
5. Remove the Filter Cartridge **20** and remove any chlorine tablets left inside the core section of the filter.
6. Loosen all four Hose Clamps **10**, remove the Hoses **9** and allow any remaining water to drain out.
7. Clean and dry all filter pump parts including filter cartridges.
8. Liberally lubricate the O-rings **13** at the Seal Top **14** and Gasket **16** on the Canister **17** with petroleum jelly, and then reassemble it, along with the Seal Top **14**, Vent Screw **12** onto the Canister **17**. Store all parts carefully in an airtight plastic bag.
9. All items should be stored in a dry environment that remains above 32 degrees Fahrenheit at all times.

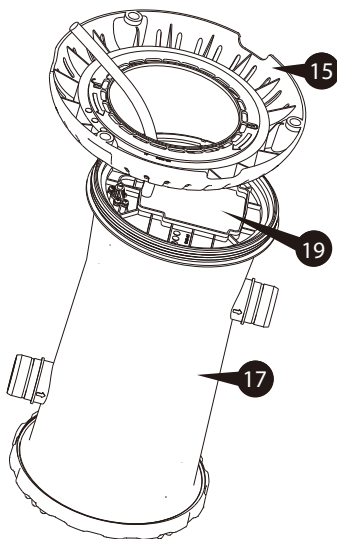
Should you encounter any problems, contact Customer Service at (888) 919-0070 from 8 AM to 5 PM Mon. thru Fri.
MST. Extended operating days and hours during peak season requirements.

PUMP REMOVAL INSTRUCTIONS FOR TROUBLESHOOTING

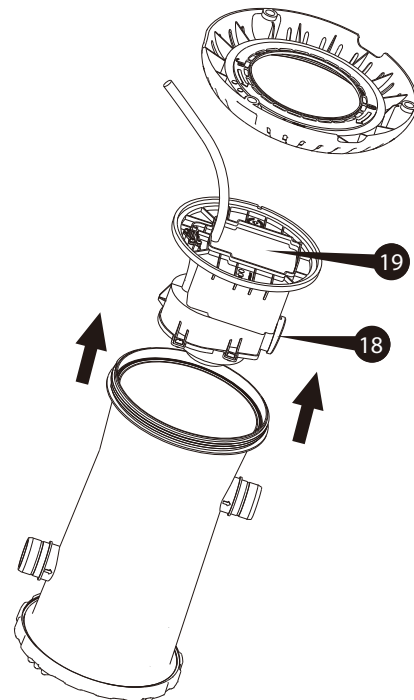
1. Unplug the Power Filter Pump. Remove the RF Diverter **7** from the Return Fitting **6**, and then plug the Return Fitting **6** with the RF Plug **8**. Hand tighten the SF Cap **5** onto the Suction Fitting **2**.
2. To depressurize the Filter Pump system, vent the filter pump by twisting the Vent Screw **12** counter-clockwise.
3. Loosen the Hose Clamps **10** at the filter pump inlet and outlet. Detach both Hoses **9** from the filter pump.
4. Turn the filter pump up-side-down. The Base **15** is now locked by a latch pin. To release the lock, push the latch pin down and then turn left. Detach the Base **15** from the Canister **17** by turning counter-clockwise.



5. Remove the Base **15** from the Canister **17**.



6. Remove the Motor Assembly **19** from the Canister **17**. Be careful not to lose the Rubber Nozzle **18**.



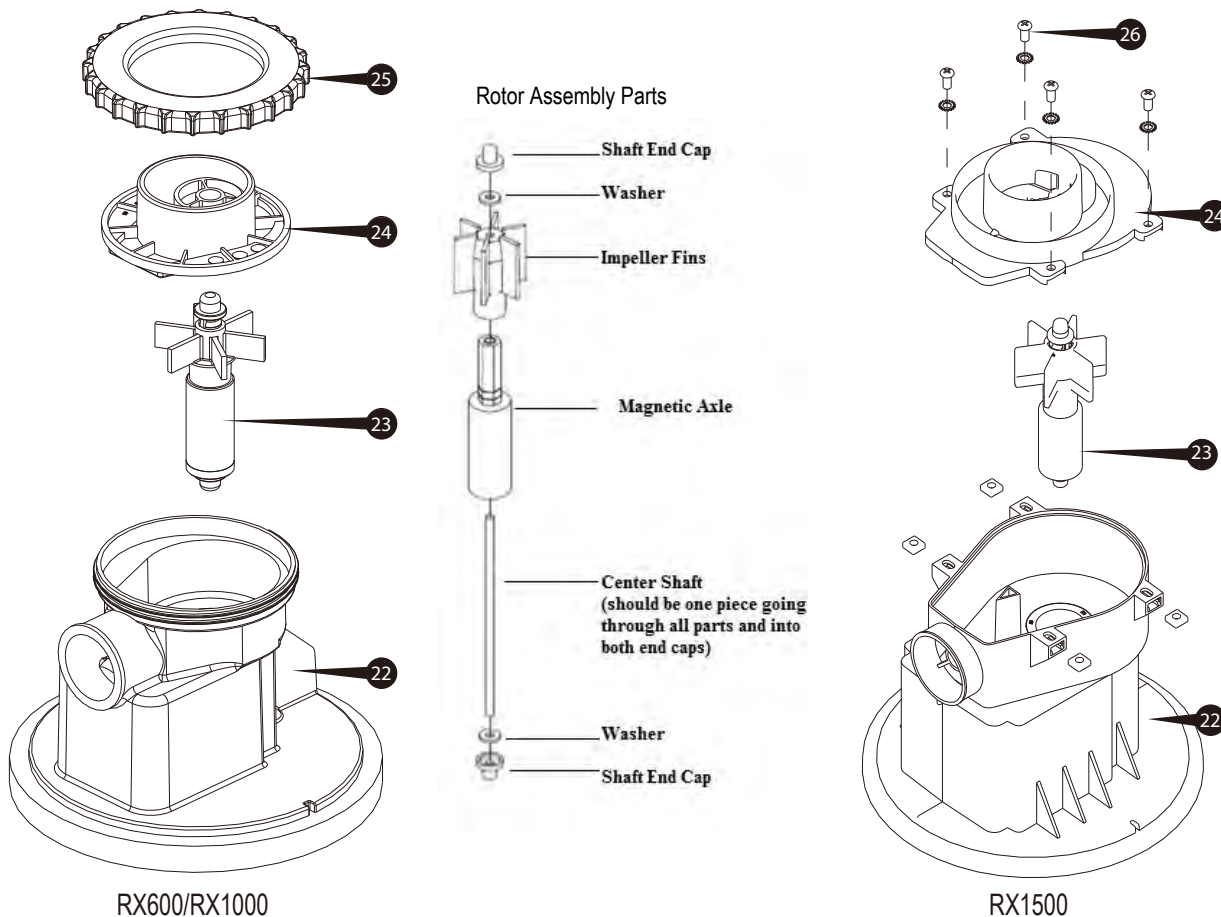
Should you encounter any problems, contact Customer Service at (888) 919-0070 from 8 AM to 5 PM Mon. thru Fri. MST. Extended operating days and hours during peak season requirements.

ROTOR INSPECTION AND REPLACEMENT INSTRUCTIONS

- To replace the Rotor Assembly **23**, remove the Volute Cover **24** and pull out the Rotor Assembly **23** from the Pump Body **22**. Inspect the rotor assembly to make sure that it has all of its parts and that the center shaft, magnetic axle, or impeller blades are not broken as this will cause the pump to fail. If your rotor assembly is broken, a complete rotor assembly may be purchased at polygroupstore.com without having to replace the whole pump.

Please see Pool Support - Filtration System Troubleshooting for the SFX Filtration System at support.polygroupstore.com.

PLEASE NOTE: Even if the rotor assembly is in perfect condition if it is not seated properly between the volute cover and the pump it will not function correctly.

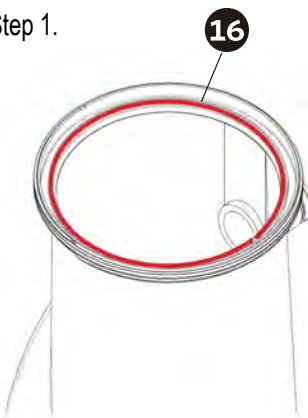


- Once the rotor assembly has been checked or if replacing with a new rotor assembly, slowly insert the rotor assembly back down into the pump carefully. The force of the magnet will pull the rotor assembly into the pump.
- Align the Shaft properly and fasten the Volute Cover **24** with the Volute Cover Lock Nut **25** or with the Volute Cover Bolt and Nut Set **26**.
- Attach the Rubber Nozzle **18** to the outlet of Motor Assembly. To complete assembly, proceed to "Pump Replacement Instructions" below.

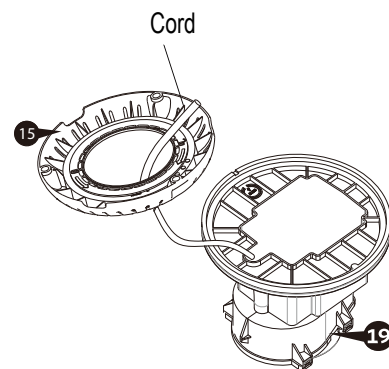
PUMP REPLACEMENT INSTRUCTIONS

- Lubricate the Canister Gasket **16** and Insert it into the groove on the bottom of the Canister **17**.
- Please make sure the cord has been placed through the Pump Base **15** before replacing Pump **19**. Then slowly insert the Pump Motor Assembly **19** back into the Canister **17**.

Step 1.

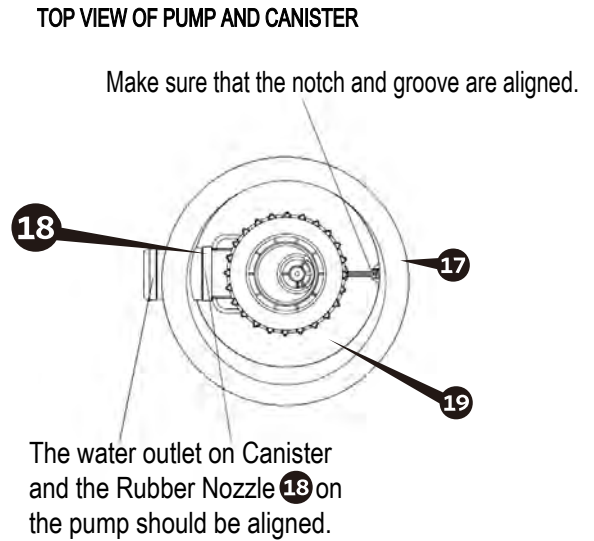
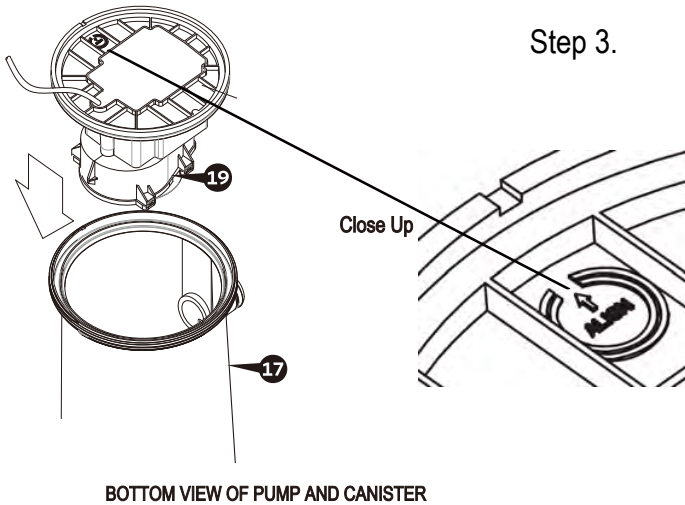


Step 2.

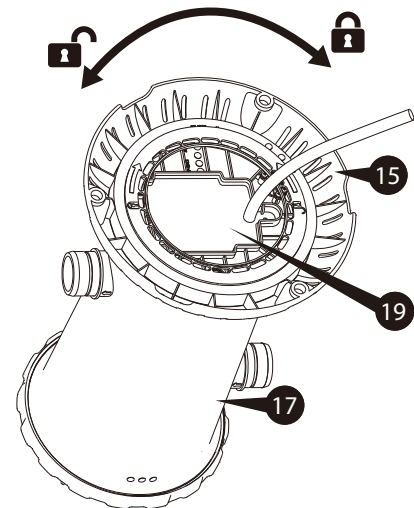
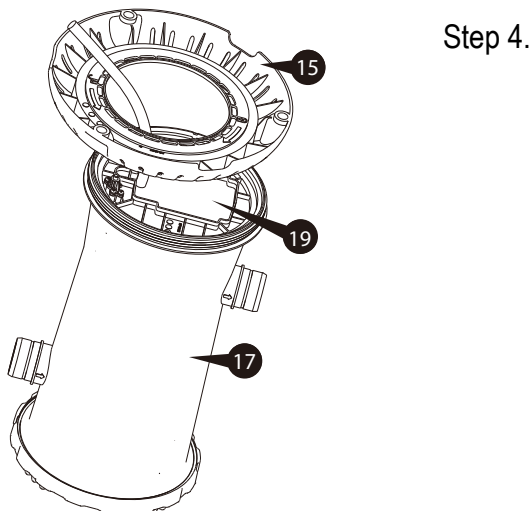


Should you encounter any problems, contact Customer Service at (888) 919-0070 from 8 AM to 5 PM Mon. thru Fri. MST. Extended operating days and hours during peak season requirements.

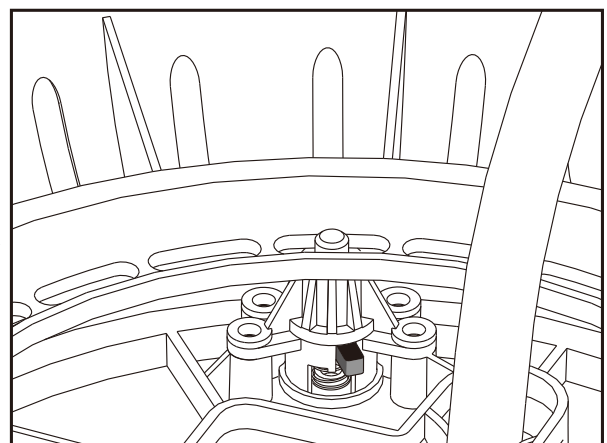
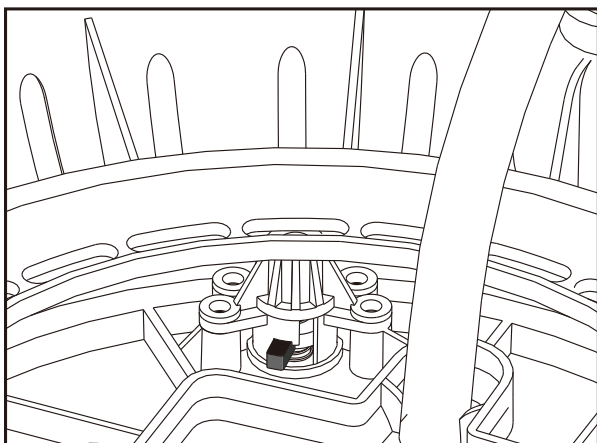
3. Once the Pump **19** is inserted into the Canister **17**, please make sure the arrow with the indentation is pointing to the matching indentation on the canister and make sure that the Rubber Nozzle **18** is aligned with the water Outlet on the Canister. There is a groove on the pump that needs to be aligned with the notch on the canister (visible from bottom only). Please make sure that the pump is correctly aligned, if it is not aligned correctly the Pump Base **15** can still lock in place but may leak.



4. Once the Pump **19** is properly aligned, be sure the Gasket **16** is properly in place. Then slide the Pump Base **15** up to the base of the canister and carefully tighten the Pump Base **15** onto the threads by turning clockwise. Make sure the pump base is not cross threaded. Cross threading can cause leaking out of the bottom of the canister.



5. To lock the Pump Base **15**, apply the latch pin by turning to the right.



REPLACEMENT PARTS ORDERING INFORMATION

KEY	DESCRIPTION	RX600	RX1000	RX1500
		Part #		
1	Fitting Gasket	P58PF1520K01	P58PF1520K01	P58PF1520K01
2	Suction Fitting	P58281283W05	P58284283W05	P58284283W05
3	Suction Fitting Washer (SF Washer)	P58PF1510K01	P58PF1510K01	P58PF1510K01
4	Fitting Lock Nut	P58PF1430W05	P58PF1840W05	P58PF1840W05
5	Suction Fitting Cap (SF Cap)	P58PF2820P01	P58PF2820P01	P58PF2820P01
6	Return Fitting	P58PF7800W05	P58PF7780W05	P58PF7780W05
7	Return Fitting Diverter (RF Diverter)	P58PF7790W05	P58PF7790W05	P58PF7790W05
8	Return Fitting Plug (RF Plug)	P58PF0620K01	P58PF0620K01	P58PF0620K01
9	Hose	P58125036W01	P58150036W01	P58150036W01
10	Hose Clamp	P58220221W05	P58219221W05	P58219221W05
12	Vent Screw	P58182201W05	P58182201W05	P58182201W05
13	Vent Screw O-Ring	P58182501K01	P58182501K01	P58182501K01
14	Seal Top	P58PF1007W05	P58PF1007W05	P58PP1853W05
15	Pump Base	P58100740W05	P58PF1013W05	P58183901W05
16	Canister Gasket	P58147800K01	P58147800K01	P58164800K01
17	Filter Pump Canister	P5810030AW05	P58PF1006W05	P58PP1840W05
18	Nozzle	P58182601K01	P58182601K01	P58185201K01
19	Motor Assembly	P58X600C0000-RX	P58X1000C000-RX	P58X1500C000-RX
20	Type D Filter Cartridge	P581041037PR		
	Type A/C Filter Cartridge		P581041080PR	P581041080PR
23	Rotor Assembly	P58050137001	P58050505001	P58050506001
24	Volute Cover	P58PF1009K01	P58PF1009K01	P58184501K01
25	Volute Cover Lock Nut (X-600 & X-1000)	P58PF1010K01	P58PF1010K01	
26	Volute Cover Bolt and Nut Set (X-1500 only)			P5800400080A
28	Filter Pump Port / Fitting O-Ring	P58030001K01	P58037000K01	P58037000K01
*	59" Hose	P584150006W1	P584150006W1	P584150006W1
*	1-1/4" to 1-1/2" Rubber Fitting Adapter	P58PF5620P01	P58PF5620P01	P58PF5620P01

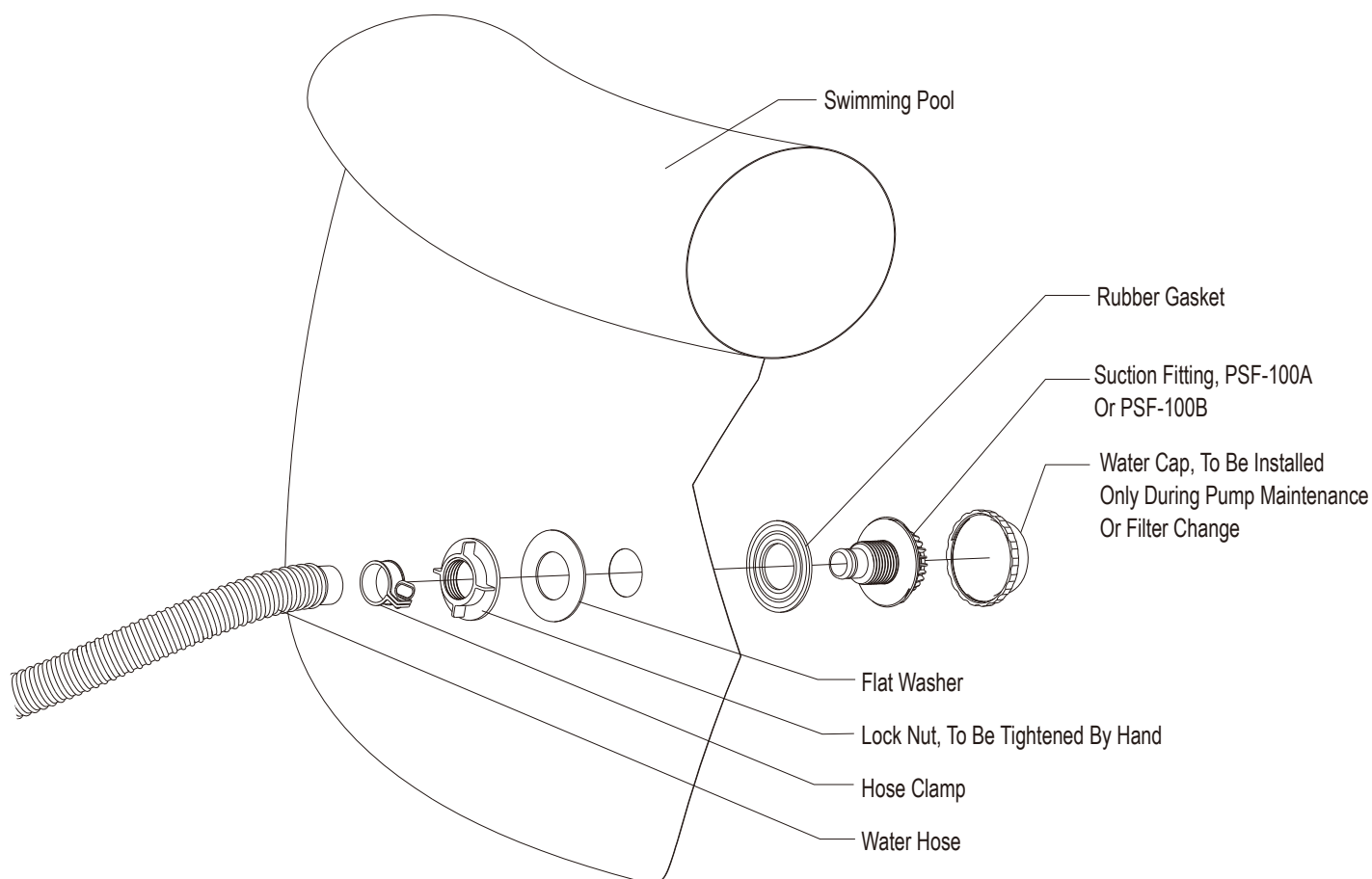
* THESE ITEMS ARE ONLY INCLUDED WITH THE SEPARATE PURCHASE OF A COMPLETE RX SERIES FILTER CANISTER ASSEMBLY.

Should you encounter any problems, contact Customer Service at (888) 919-0070 from 8 AM to 5 PM Mon. thru Fri. MST. Extended operating days and hours during peak season requirements.

ASME COMPLIANT SUCTION FITTING INFORMATION

PSF-100A AND PSF-100B SUCTION OUTLET (FOR ABOVE GROUND POOLS)

1. PSF-100A and PSF-100B Suction Outlets are certified by IAPMO in accordance with the ASME/ANSI A112.19.8b-2009 Suction Fitting for use in Swimming Pools, Wading Pools, Spas, and Hot Tubs.
2. This is a submerged suction outlet for use with above ground swimming pools.
3. For single drain only. Use only ONE outlet for each pump.
4. Do not locate this suction outlet on sitting areas or on the backrest for such seating area.
5. Install this outlet at location recommended by the pool manufacturer.
6. The maximum allowable flow rate of this suction outlet is 45 gallons per minute (2,700 gallons per hour).
7. Connection Hose:
 - Model PSF-100-A is to be connected with 1 1/4" (31.8mm) diameter hose.
 - Model PSF-100-B is to be connected with 1 1/2" (38.1mm) diameter hose.
8. The suction outlet is to be mounted at the suction outlet opening as specified by the manufacturer of the above ground pool. The diameter of this opening should be within the range of 1.77" to 1.85" (45.0mm to 47.0mm). Refer to the following diagram for detailed assembly instructions:



9. The suction outlet PSF-100A or PSF-100B is to be replaced every 5 years.
10. No tool is required for installation.
11. Service and Winterizing Instructions.

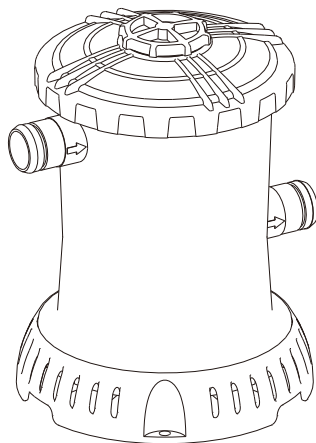
CAUTION! DO NOT EXCEED THE MAXIMUM ALLOWABLE FLOW RATE:

1. 45 Gallons per minute (2,700 Gallons per hour).
2. Carefully observe and inspect the suction outlet for damage and tampering before each use of the pool.
3. Missing, broken or cracked suction outlet must be replaced before using the pool.
4. Loose suction fitting should be reattached or replaced before using the pool.
5. Remove and store Suction Outlet assembly if temperatures are expected to fall below 32° F.

Should you encounter any problems, contact Customer Service at (888) 919-0070 from 8 AM to 5 PM Mon. thru Fri. MST. Extended operating days and hours during peak season requirements.

BOMBA CON FILTRO DE CARTUCHO SUMMER WAVES®

PARA PISCINAS SOBRE SUELO
Modelos RX600 / RX1000 / RX1500



LEA ESTAS INSTRUCCIONES Y CONSÉRVELAS PARA FUTURAS CONSULTAS

Para dudas sobre la instalación o resolución de problemas, visite
support.polygroupstore.com Servicio de atención al cliente: (888)919-0070

NO DEVUELVA EL PRODUCTO A LA TIENDA

Para pedir piezas y accesorios,
visite www.polygroupstore.com

Si le surge algún problema con su producto Polygroup®, no devuelva el producto al establecimiento de compra. Las reclamaciones por garantía deben realizarse directamente a Polygroup®. Antes de ponerse en contacto con el servicio de atención al cliente, revise la guía de resolución de problemas, en el manual de instalación, o consulte las FAQ o revise los videos con las instrucciones en support.polygroupstore.com. Si continúa sin poder resolver el problema, póngase en contacto con el servicio de atención al cliente de Polygroup® en el (888)919-0070. **Tenga preparado el tipo de producto, el número de modelo y el comprobante de compra listo.** Nuestro representante del servicio de atención al cliente le ayudará a resolver el problema. Puede ser necesario que nos envíe parte del producto o el producto en su totalidad para inspección y/o reparación. No devuelva ningún producto a Polygroup® sin un número de autorización de devolución.

GARANTÍA LIMITADA

Polygroup® Limited (empresa comercial extraterritorial de Macao), (en adelante, "Polygroup®") garantiza solo al comprador original la bomba eléctrica de tipo RX ante defectos en el material y mano de obra durante **180 días desde la fecha de compra**. **El comprador original debe conservar el justificante de compra en forma de recibo de venta original de la tienda, que deberá presentar si así se lo solicita Polygroup® o sus agentes delegados.** Las reclamaciones de garantía no pueden procesarse sin un justificante de compra válido. Esta garantía limitada solo se aplica al comprador original del producto y se limita a la reparación o sustitución del producto, a discreción de Polygroup®. **Los daños consiguientes, incluidas reclamaciones por pérdidas de agua, químicos para piscinas, daños o uso no están cubiertos por esta garantía limitada.**

Esta garantía no se considerará válida en caso de modificación o reparación del producto por parte del comprador o de personas no autorizadas, uso de piezas o accesorios no originales de Polygroup® en el producto, uso del producto contraviniendo las instrucciones del fabricante, uso de voltaje inadecuado, cualquier tipo de abuso del producto o en caso de accidente o negligencia. Esta garantía no cubre el desgaste normal, así como los casos de fuerza mayor fuera del control de Polygroup®. Polygroup® no se hace responsable de las hierbas que pueden crecer a través del paño de tierra y / o el revestimiento de la piscina, ya que esto no es un defecto de fabricación.

EN NINGÚN CASO SERÁN RESPONSABLES Polygroup®, SUS AGENTES AUTORIZADOS, ENTIDADES ASOCIADAS O EMPLEADOS ANTE EL COMPRADOR O TERCEROS POR DAÑOS DIRECTOS O CONSIGUIENTES. Algunos estados o países, u otras jurisdicciones, no permiten la exclusión o limitación de daños accidentales o consiguientes, en cuyo caso no se aplicarán las anteriores limitaciones o exclusiones.

ÍNDICE

Advertencias.....	3 ~ 6
Pasos preliminares, Notas importantes acerca de la bomba de filtración é Información sobre la potencia del motor y la Lista de piezas.....	7 ~ 9
Instrucciones de montaje.....	10 ~ 11
Funcionamiento de la bomba de filtración, Protección del motor y Limpieza y sustitución del cartucho filtrante.....	12 ~ 13
Mantenimiento de la piscina y Tratamiento del agua.....	13
Guía de resolución de problemas, Desmontaje y Almacenamiento de la bomba.....	14
Instrucciones para reemplazar el motor y para solucionar problemas.....	15
Inspección del rotor instrucciones de reemplazo y Instrucciones para reemplazar del Motor/Bomba.....	16 ~ 17
Información sobre el pedido de piezas de respuesto.....	18
Información sobre el accesorio de succión en conformidad con ASME.....	19

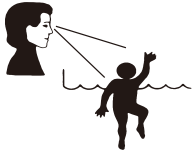
INSTRUCCIONES IMPORTANTES DE SEGURIDAD

Al instalar y usar este equipo electrónico, deben seguirse siempre ciertas instrucciones básicas de seguridad, incluidas las siguientes:

LEA Y SIGA TODAS LAS INSTRUCCIONES

Consérvelas para futuras consultas. El incumplimiento de estas advertencias e instrucciones puede provocar lesiones graves o la muerte de los usuarios, especialmente los niños.

⚠ ADVERTENCIA



⚠ PELIGRO

¡EVITE AHOGAMIENTOS!
VIGILE DE CERCA A LOS NIÑOS CUANDO ESTÉN EN LA PISCINA O EN SUS ALREDEDORES. EN EL CASO DE NIÑOS MENORES DE 5 AÑOS, EL RIESGO DE AHOGAMIENTO ES MAYOR. VACÍE LA ALBERCA O PREVENGA EL ACCESO A ELLA CUANDO NO SE ENCUENTRE EN USO.

NO DIVING!
AGUA POCO PROFUNDA
¡PROHIBIDO ZAMBULLIRSE DE CLAVADO! RIESGO DE FRACTURA DEL CUELLO Y PARÁLISIS.

⚠ ADVERTENCIA

NO SE SIENDE NI SE TUMBE SOBRE LA PARED DE LA PISCINA
PUEDEN SUFRIR LESIONES PERMANENTES

EVITE QUEDAR ATRAPADO!
ALÉJESE DE LOS ACCESORIOS DE DRENAJE O SUCCIÓN. EL PELO, EL CUERPO Y LAS ALHAJAS PUEDEN SER SUCCIONADOS POR EL SISTEMA DE DRENAJE. CORRIENDO RIESGO DE QUEDAR ATRAPADO BAJO EL AGUA Y AHOGARSE. NO USE LA PISCINA SI LA TAPA DEL DRENAJE O DE LA BOCA DE SUCCIÓN DE SALIDA ESTÁ ROTA O FALTANDO.

AVISO: LOS CLIENTES QUE ADQUIERAN PISCINAS PODRÍAN ESTAR OBLIGADOS POR LA LEGISLACIÓN ESTATAL O LOCAL A ABBONAR GASTOS ADICIONALES AL INSTALAR UNA PISCINA, EN CUMPLIMIENTO DE LAS LEYES ESTATALES O LOCALES RELATIVAS AL VALLADO Y OTROS REQUISITOS DE SEGURIDAD. LOS CLIENTES DEBEN PONERSE EN CONTACTO CON LAS AUTORIDADES LOCALES CORRESPONDIENTES PARA MÁS INFORMACIÓN. POLYGROUP NO ES RESPONSABLE POR GASTOS ADICIONALES QUE PUEDAN OCURRIR.

Precauciones de seguridad para los niños

1. Los niños, especialmente los menores de 5 años, tienen un alto riesgo de ahogarse. Los ahogamientos suceden de manera silenciosa y rápida, pudiendo suceder en tan poco como 5 cm de agua.
2. Mantenga a los niños dentro de su campo de visión, permanezca cerca y vigíelos activamente cuando estén cerca o dentro de la piscina y cuando esté llenando y vaciando la piscina.
3. Al buscar un niño perdido, compruebe primero la piscina, incluso aunque piense que el niño está en casa.
4. Sitúe las bombas y filtros de manera que los niños no puedan subirse a ellos para acceder a la piscina.
5. **ADVERTENCIA:** Para reducir el riesgo de lesiones, no permita a los niños utilizar este producto a menos que estén bajo estrecha supervisión en todo momento.

Vallas para piscina

Muy importante: Las vallas para piscina, que restringen el acceso a la piscina a los niños pequeños, pueden ser un requisito legal. Las vallas son necesarias para proporcionar protección contra un posible ahogamiento o casi ahogamiento. Las vallas no sustituyen la vigilancia constante de los niños. Consulte las normas y códigos estatales y locales antes de instalar la piscina.

Equipamiento de la piscina

1. El uso de iluminación artificial para piscinas depende del dueño de la piscina. Una vez instalada, la iluminación debe cumplir el art. 680 del Código Eléctrico Nacional (NEC) o la última edición aprobada y debe contar con el asesoramiento de un profesional autorizado.
2. Mantenga los cables eléctricos, radios, altavoces y otros aparatos eléctricos lejos de la piscina.
3. No coloque la piscina cerca o debajo de cables eléctricos.
4. Todos los componentes instalados en y/o adyacentes a una piscina sobre tierra residencial deben instalarse en conformidad con los requisitos de la última edición publicada del NFPA 70, Código Eléctrico Nacional (NEC®), art. 680, Piscinas, fuentes e instalaciones similares, así como con cualquier código estatal o local.

Sensibilización con respecto a la bomba de filtración

1. **ADVERTENCIA:** Riesgo de descarga eléctrica. Conéctela únicamente a un receptáculo con conexión a tierra. Este producto incluye un disyuntor diferencial. En caso de que sea necesario sustituir el enchufe o el cable, utilice únicamente piezas de repuesto que sean idénticas.
2. **ADVERTENCIA:** Para reducir el riesgo de descarga eléctrica, sustituya el cable dañado inmediatamente.
3. **ADVERTENCIA:** Para reducir el riesgo de descarga eléctrica, no utilice alargadores para enchufar la unidad en la toma de corriente; utilice una toma que esté correctamente situada.
4. **ATENCIÓN:** Para reducir el riesgo de descarga eléctrica, la piscina debe colocarse a 1,8 m, como mínimo, de cualquier toma de corriente. No coloque los aparatos móviles a menos de 1,5 m de distancia de la piscina.

5. **ATENCIÓN:** Esta bomba ha sido diseñada para usarla únicamente con piscinas almacenables. No debe utilizarla con piscinas de instalación permanente. Una piscina almacenable ha sido fabricada de modo que puede desmontarse fácilmente para guardarla y volver a montarse íntegramente como al principio. Una piscina de instalación permanente se construye sobre o debajo del suelo, o de forma que no puede ser desmontada para guardarse.
6. **ATENCIÓN:** Para mantener la protección continua contra posibles descargas eléctricas, esta unidad debe montarse sobre una base en conformidad con las instrucciones de instalación.
7. No entierre el cable. Coloque el cable de forma que reduzca al máximo la posibilidad de que resulte dañado por cortacéspedes, cortasetos y otros equipos.
8. La unidad incluye un disyuntor diferencial (GFCI, por sus siglas en inglés). Para probarlo, pulse el botón de prueba. El disyuntor diferencial debe interrumpir el suministro eléctrico. Pulse el botón de reinicio (reset). El suministro debería restablecerse. Si el disyuntor diferencial no funciona de esta forma, significa que está defectuoso. Si el disyuntor diferencial interrumpe el suministro eléctrico a la bomba sin haber pulsado el botón de prueba, significa que hay una corriente de fuga, lo que indica que puede producirse una descarga eléctrica. No utilice esa bomba. Desconéctela y llévela a un representante de servicio cualificado para que solucione el problema antes de usarla.
9. La Bomba de Filtro debe ser montada por un adulto; hay que tener cuidado al desembalarla y montarla, ya que puede contener bordes y puntos afilados potencialmente peligrosos que son partes necesarias para el funcionamiento de la Bomba de Filtro.
10. No use la piscina en caso de que falte o esté rota alguna tapa de las salidas de succión o drenaje. La succión puede provocar que quede atrapada alguna parte del cuerpo, que se enreden el cabello o las joyas o ahogamiento. Repare o cambie las tapas de las salidas de succión o drenaje antes de utilizar la piscina. Durante el uso nocturno de la piscina, utilice iluminación artificial para iluminar todas las señales de seguridad, escaleras, escalones, cubiertas y caminos.
11. El fondo de la piscina debe ser visible en todo momento desde el perímetro exterior de la piscina.
12. Coloque una lista de números de teléfono de emergencia, como la comisaría, bomberos, ambulancias y/o unidades de rescate más cercanas. Estos números deben mantenerse cerca del teléfono más cercano a la piscina.
13. Tenga siempre a mano un equipo básico de salvamento, que incluya uno de los siguientes:
 - Una vara rígida, resistente y ligera (un cayado) con una longitud no inferior a 366 cm.
 - Una cuerda de al menos 6,35 mm de diámetro con una longitud igual a la mitad de la anchura máxima de la piscina o 15,24 m, la que sea inferior, que esté firmemente sujeta a un flotador de salvamento aprobado con un diámetro exterior de aproximadamente 38,1 cm, o un dispositivo de flotación aprobado similar.
14. La piscina debe estar situada a una distancia mínima de 1,83 m de cualquier toma de corriente, y todas las tomas de 125 V 15-20 A situadas en un radio de 6 m de la piscina deben protegerse con un interruptor diferencial (GFCI), donde las distancias sean, por medida, la ruta más corta que seguiría el cable de alimentación de un aparato conectado al receptáculo, sin perforar ningún piso, pared, techo, marco con puerta abisagrada o corredera, ventana o cualquier otra barrera permanente, hasta la pared interior de la piscina.

Sistemas de circulación

1. Los instaladores deberán seguir las instrucciones escritas relativas a la posición de todos los equipos conectados a los sistemas de circulación.
2. El instalador deberá seguir las instrucciones escritas suministradas para utilizar los componentes de los sistemas de circulación.
3. Todos los componentes y las bombas del sistema de circulación que deban sustituirse o repararse deberán instalarse siguiendo el manual de instrucciones de la bomba.
4. El equipo de circulación deberá instalarse siguiendo las instrucciones del fabricante para proporcionarle un montaje y soporte adecuado, para evitar daños derivados de una mala alineación, asentamiento y vibración, y para minimizar la posibilidad de acumulación de residuos y humedad. Consulte el manual de instrucciones de la bomba.

Productos químicos

Por motivos de seguridad, asegúrese de que la parte más profunda de la piscina siempre esté visible. El usuario debe llevar a cabo en todo momento un mantenimiento adecuado del agua de la piscina para que esté limpia. Compruebe los niveles de pH y cloro periódicamente y asegúrese de que están dentro de los límites recomendados. De vez en cuando, podrían ser necesarios productos químicos adicionales para tratar el agua. Lleve a analizar una muestra de agua a la tienda local de suministros de piscina para determinar si necesita más productos químicos. Encienda la bomba por las horas recomendadas diariamente. Si no está seguro de los plazos, consulte support.polygroupstore.com para las horas de funcionamiento de la bomba recomendadas, basadas en tipos y tamaños de piscina. Limpie y cambie el cartucho del filtro con frecuencia. Reemplazar solo con un cartucho de filtro original de la marca Polygroup® / Summer Waves®. Consulte el manual de la bomba del filtro para más información sobre el cuidado del agua.

Riesgo de quedar atrapado

1. Evite quedar atrapado: No debe haber salientes u otros obstáculos en la zona de baño que puedan causar que el usuario quede atrapado o enredado. No use la piscina en caso de que falte o esté rota alguna tapa de las salidas de succión. La succión puede provocar que quede atrapada alguna parte del cuerpo, que se enreden el cabello o las joyas o ahogamiento. Repare o sustituya la tapa de la salida de succión antes de dejar que se use la piscina.
2. ¡PELIGRO! PARA EVITAR LESIONES GRAVES O LA MUERTE, CIERRE LA PISCINA O SPA A LOS BAÑISTAS EN CASO DE QUE FALTE O ESTÉ ROTA Y/O INOPERATIVA ALGUNA REJILLA/TAPA DE LAS SALIDAS DE SUCCIÓN.
3. No juegue ni nade cerca de las válvulas de succión o drenaje. Podrían quedar atrapados su cabello o su cuerpo, causándole lesiones permanentes o ahogamiento.
4. No entre a la piscina o spa en caso de que alguna válvula de succión o tapa de drenaje esté suelta, rota o falte.
5. En caso de encontrar una tapa de drenaje suelta, rota o notar que falta, notifíquese lo inmediatamente al operador o propietario de la piscina/spa.

Riesgo de ahogamiento.

1. Evite que los niños accedan a la piscina sin vigilancia instalando una valla u otra barrera aprobada alrededor de la piscina. Las leyes los códigos estatales o locales pueden exigir una valla u otras barreras aprobadas. Consulte las normas y los códigos estatales y locales antes de instalar la piscina.
2. Los juguetes, sillas, mesas y objetos similares a los que un niño podría subirse deben tener una altura mínima de 121,92 cm respecto a la piscina. El sistema del

filtro de la bomba debe colocarse de manera que no pueda ser usado por los niños pequeños como medio de acceso a la piscina. No deje juguetes dentro de la piscina al terminar de usarla, ya que los juguetes y objetos similares podrían atraer a los niños a la piscina.

3. Coloque los muebles (por ejemplo, mesas o sillas) lejos de la piscina para que los niños no puedan subirse a ellos para acceder a la piscina.

Riesgo de electrocución

1. Mantenga los cables eléctricos, radios, altavoces y otros aparatos eléctricos lejos de la piscina.
2. No coloque la piscina cerca o debajo de cables eléctricos.

Primeros auxilios

1. Tenga siempre un teléfono en funcionamiento y una lista de número de emergencia cerca de la piscina.
2. Aprenda la técnica de la resucitación cardiopulmonar (CPR). En caso de emergencia, realizar inmediatamente la CPR puede salvar una vida.

Advertencia especial

1. Los códigos de construcción locales pueden exigir la obtención de un permiso de construcción o instalación eléctrica. El instalador debe seguir las normativas sobre retranqueo, barreras, dispositivos y otros requisitos.
2. Las señales de seguridad deben cumplir los requisitos de la ANSI-Z535 y usar señalización de advertencia.
3. NO intente montar la piscina en condiciones climatológicas adversas, en caso de viento o cuando la temperatura sea inferior a 15,5 °C.
4. La Bomba de Filtro es almacenable, por lo que debería desmontarse y guardarse cuando se esperen temperaturas por debajo de 0 °C.

Advertencia de seguridad adicional

1. Siempre es necesaria la supervisión de un adulto.
2. Los padres deben aprender a realizar la CPR.
3. Mantenga los radios eléctricos, altavoces y otros aparatos eléctricos lejos de la piscina.
4. Cuando toque el filtro, la bomba o las piezas eléctricas, asegúrese de que el suelo que pisa esté totalmente seco.
5. Todas las tomas eléctricas deben tener un disyuntor diferencial y las conexiones deben estar a 1,83 m, como mínimo, del perímetro de la pared de la piscina. A partir de 1,83 m-3,05 m, debe haber una conexión fija (caja de distribución) o una conexión de trabas giratorias con un disyuntor diferencial.
6. Conecte los cables de alimentación a una toma de corriente con conexión a tierra.
7. Mantenga todos los objetos que se puedan romper fuera de la zona de la piscina.
8. El consumo de alcohol no es compatible con las actividades de piscina. No deje que nadie nade, bucee o se deslice bajo la influencia del alcohol o las drogas.
9. Existe riesgo de descarga eléctrica si instala la bomba o el filtro en una plataforma. La bomba o el filtro podrían caer al agua, provocando descargas graves o electrocución.
10. No instalar sobre una plataforma u otra superficie en, sobre o ligeramente por debajo del riel superior de la piscina.
11. No use la bomba de filtro durante condiciones climatológicas adversas, es decir, tormentas, tornados, etc.
12. Al aspirar la piscina o usar el mango telescópico, tenga en cuenta los cables eléctricos que pueda haber sobre usted.
13. Compruebe regularmente si existen signos de desgaste o pernos sueltos que puedan comprometer la seguridad de la plataforma.
14. Póngase en contacto con el distribuidor o fabricante de la piscina para obtener más señales de seguridad si lo considera necesario.
15. Acuda a un técnico de piscinas profesional para el servicio de mantenimiento de la piscina.

Para más información entre en www.APSP.org

Folleto de sensibilización del consumidor y fuente de información

Contacto: U.S. Consumer Product Safety Commission at www.CPSC.gov/cpsc/pub/pubs/pool/pdf, Pub. #362 "Safety Barrier Guidelines for Home Pools".

1. La manera sensata de disfrutar de su piscina sobre suelo
2. Los niños no son a prueba de agua
3. Capas de protección
4. Procedimientos de emergencia en piscinas y spas para bebés y niños
5. Existen copias gratuitas de los folletos anteriores sobre seguridad del APSP. Vaya a: www.APSP.org.

Existen programas educativos y materiales sobre los programas educativos (es decir, seminarios, talleres, folletos, videos, guías) del APSP, otros grupos de seguridad acuática y empresas privadas. Con el objetivo de comunicar información de seguridad útil a los dueños/operadores y usuarios de piscinas, está permitido que los miembros de la industria suministren esta información a los dueños/operadores y que soliciten o exijan a los dueños/operadores una declaración firmada de que han recibido, leído y seguirán las instrucciones.

Otras fuentes de información de seguridad:

- www.cdc.gov
- www.cpsc.gov
- www.drowningpreventionalliance.com
- www.nspf.org
- www.safekids.org

ANSI American National Standards Institute

25 West 43rd Street, New York NY 10036

Contacto: 212-642-4900

www.ansi.org

APSP Association of Pool & Spa Professionals

(formerly National Spa and Pool Institute)

2111 Eisenhower Avenue, Suite 500

Alexandria VA 22314-4679

Contacto: 703-838-0083

www.apsp.org

ASME American Society of Mechanical Engineers

Two Park Avenue, New York NY 10016-5990

Contacto: 800-843-2763 (U.S. & Canada) 973-882-1170 (outside North America)

www.asme.org

NSPI National Spa and Pool Institute (see APSP)**UL Underwriters Laboratories**

333 Pfingsten Road, Northbrook IL 60062-2096

Contacto: 877-854-3577 or 847-272-8800

www.ul.com

NSF NSF International

P.O. Box 130140

789 N. Dixboro Road

Ann Arbor MI 48105

Contacto: 800-673-6275 or 734-769-8010

www.nsf.org

ASTM ASTM International (formerly American Society of Testing & Materials)

100 Barr Harbor Drive, P.O. BOX C700

West Conshohocken, PA 19428-2959

Contacto: 877-909-2786 (USA & Canada) or 610-832-9585 (International)

www.astm.org

NEC National Electrical Code (see NFPA)

NFPA National Fire Protection Association

1 Batterymarch Park, Quincy MA 02169-7471

Contacto: 800-344-3555 (U.S. & Canada) or 617-770-3000 (International)

www.nfpa.org

Sistemas de filtración

Hay que colocar cualquier equipo conectado a los sistemas de ventilación de manera que los niños no lo puedan usar como medio de acceso a la piscina. (Véase la última edición publicada del Código sobre dispositivos de seguridad ANSI/APSP-8 para piscinas, spas y bañeras de hidromasaje de uso residencial).

Barrera

Las barreras son necesarias para ofrecer protección ante posibles ahogamientos y casi ahogamientos, y no son un sustituto de la supervisión constante de los niños. (Véase la última edición publicada del Código sobre dispositivos de seguridad ANSI/APSP-8 para piscinas, spas y bañeras de hidromasaje de uso residencial).

Riesgo de accidentes de ahogamiento, atrapamiento y buceo

Hay publicaciones disponibles que describen el riesgo de accidentes de ahogamiento, atrapamiento y buceo. Las publicaciones relacionadas con la seguridad de la piscina disponibles incluyen folletos de la Asociación de profesionales de piscina y spa (APSP) titulados: The Sensible Way to Enjoy Your Aboveground/ Onground Swimming Pool [La forma sensata de disfrutar de su piscina desmontable y fija], Children Aren't Waterproof [Los niños no son a prueba de agua], Pool and Spa Emergency Procedures for Infants and Children [Procedimientos de emergencia en piscinas y spas para bebés y niños], Layers of Protection [Capas de protección], y la última edición publicada del Código sobre dispositivos de seguridad ANSI/APSP-8 para piscinas, spas y bañeras de hidromasaje de uso residencial.

Responsabilidades del instalador

La instalación de todos estos componentes debe realizarse de manera que los niños no lo puedan usar como medio de acceso a la piscina. (Véase el Código de Carrier sobre piscinas, spas y bañeras de hidromasaje residenciales).

GUARDE ESTAS INSTRUCCIONES

En caso de problemas, póngase en contacto con el servicio de atención al cliente en el (888) 919-0070, de L a V de 8h a 17h.

MST. Los horarios de atención se amplían durante temporada alta.

PASOS PRELIMINARES

1. LEA ATENTAMENTE TODAS LAS INSTRUCCIONES y comprenda bien lo que hace falta para montar la bomba de filtración de la serie CP.
2. Antes de empezar a montar la piscina, identifique, cuente y revise todas las piezas necesarias para el montaje.
3. Se recomienda tener VASELINA a mano para lubricar las juntas.

NOTAS IMPORTANTES ACERCA DE LA BOMBA DE FILTRACIÓN

1. El instalador deberá seguir las instrucciones suministradas por escrito sobre el funcionamiento de los sistemas de bombas de filtración.
2. Todos los componentes eléctricos deberán instalarse de acuerdo con el artículo 680 del Código Eléctrico Nacional, "Piscinas, fuentes e instalaciones similares" o su última edición aprobada.
3. El cartucho de filtro tipo D **20** soporta hasta 2 pastillas de cloro de 1" de diámetro y el cartucho de filtro de tipo A/C **20** soporta hasta 6 pastillas de cloro de 1" de diámetro. Compruebe el nivel de cloro para determinar cuántas pastillas de cloro debe añadir. El cartucho filtrante dispensará automáticamente el cloro a la piscina mientras funciona la bomba de filtración. Para utilizar el dispensador de cloro, debe tener el tipo de cartucho filtrante **20** que tiene un separador de maya central (véase la página 9). **NO lo utilice para dispensar cloro en polvo, sustancias químicas para tratamientos de choque o de cualquier otro tipo ya que la bomba, el cartucho filtrante y la piscina pueden resultar dañados.**
4. Los sistemas la bomba de filtración de la serie RX son fabricados por Polygroup® con el número de control de ETL 4000608 y 4006317, con doble aislamiento y conexión a tierra, 120 VCA y 60 Hz. (Todas las unidades deben contar con 105 VCA como mínimo para empezar a funcionar correctamente).

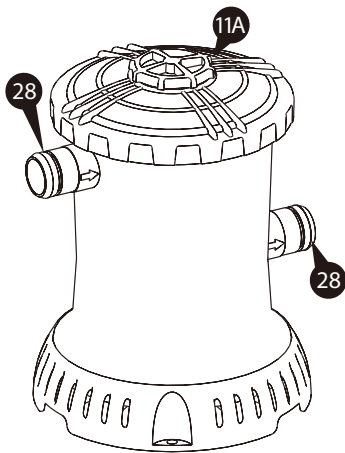
INFORMACIÓN SOBRE LA POTENCIA DE LA BOMBA DE FILTRACIÓN

MODELO DE BOMBA DE FILTRACIÓN	VATAJE	AMPERAJE
RX-600	65 watts	1.7 amps
RX-1000	105 watts	1.4 amps
RX-1500	175 watts	3.1 amps

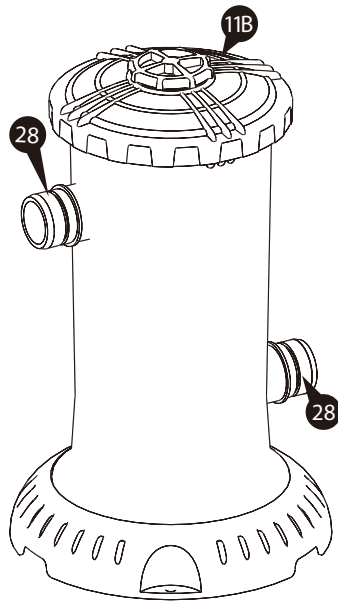
LISTA DE PIEZAS

ELEMENTOS	NOMBRE DE LAS PIEZAS	Cant.	ELEMENTOS	NOMBRE DE LAS PIEZAS	Cant.
1	Empaque de Retorno	2	14	Tapón de Sello	1
2	Accesorio de succión	1	15	Base del Motor	1
3	Junta de Succión	1	16	Empaque del cartucho	2
4	Contratuerca del accesorio	2	17	Caja de la bomba del filtro	1
5	Tapadera de succión (tapón SF)	1	18	Boquilla de goma	1
6	Accesorio de retorno	1	19	Montaje del Motor	1
7	Desviador de la boquilla de retorno	1	20	Cartucho de filtro tipo D (solo RX600)	1
8	Tapón (uso para el servicio solamente)	1		Cartucho de filtro tipo A/C (RX1000 y RX1500)	1
9	Manguera	2	22	Motor (Referencia la imagen solamente)	1
10	Abrazadera de la manguera	4	23	Ensamblaje de Rotor	1
11	Conjunto de la bomba de filtración	1	24	Tapadera de la voluta	1
	A) RX600		25	Tuerca de la voluta (RX600 y RX1000)	1
	B) RX1000		26	Tuerca de la voluta (solo RX1500)	1 set
	C) RX1500		27	Cable de alimentación con disyuntor diferencial	1
12	Tornillo blanco	1	28	Anillo negro para las conexiones de la manguera	4
13	Anillo negro para el Tornillo	1			

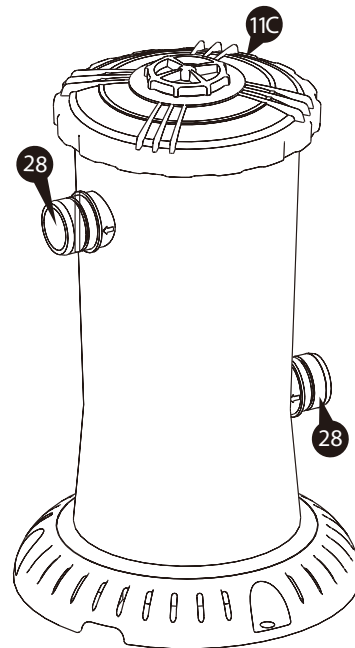
En caso de problemas, póngase en contacto con el servicio de atención al cliente en el (888) 919-0070, de L a V de 8h a 17h. MST. Los horarios de atención se amplían durante temporada alta.



RX600

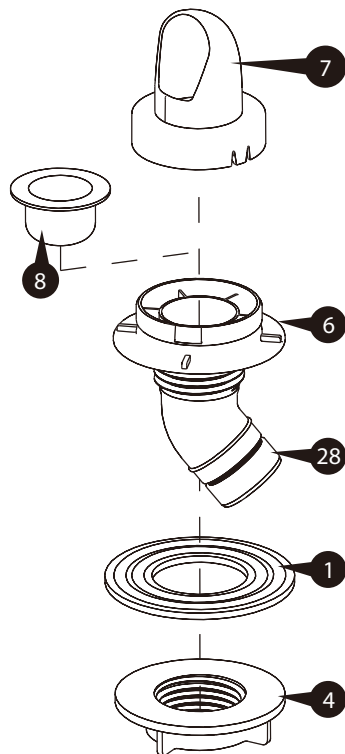


RX1000

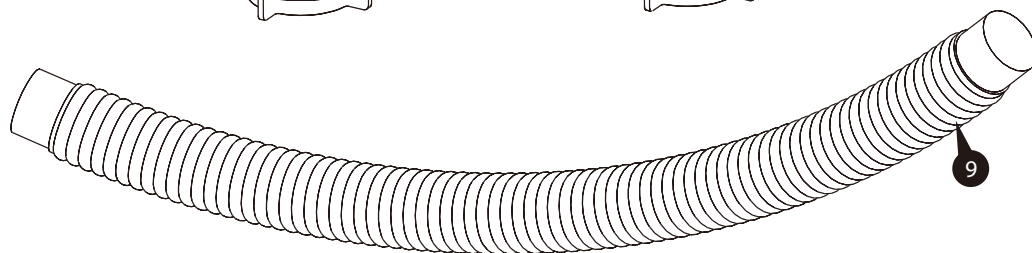
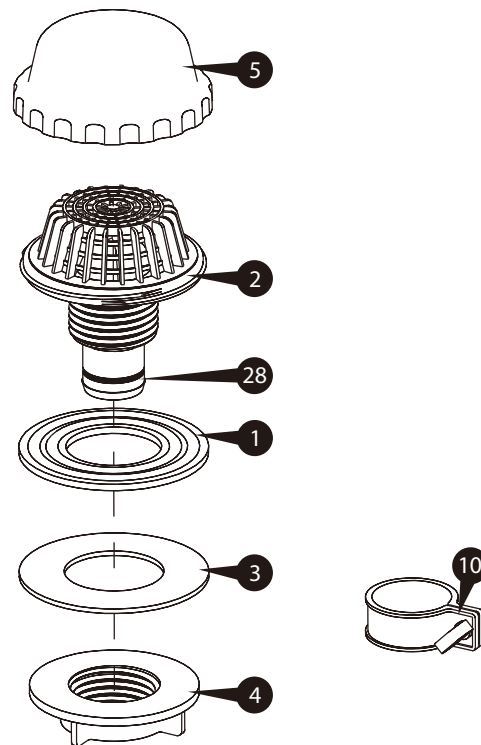


RX1500

ACCESORIO DE RETORNO



ACCESORIO DE SUCCIÓN

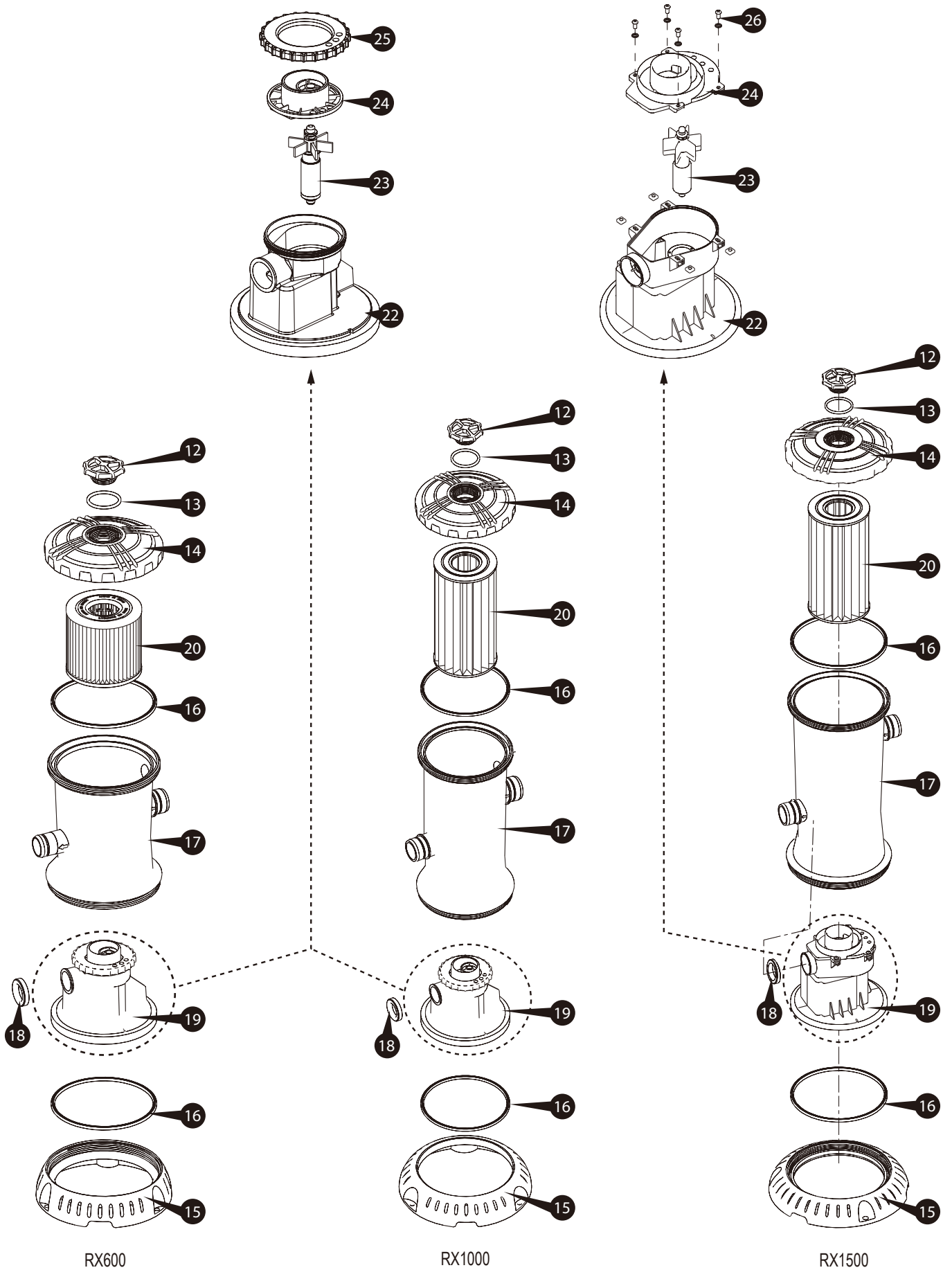


Cómo utilizar el tapón del GFCI



*No conectar a un temporizador

En caso de problemas, póngase en contacto con el servicio de atención al cliente en el (888) 919-0070, de L a V de 8h a 17h. MST. Los horarios de atención se amplían durante temporada alta.



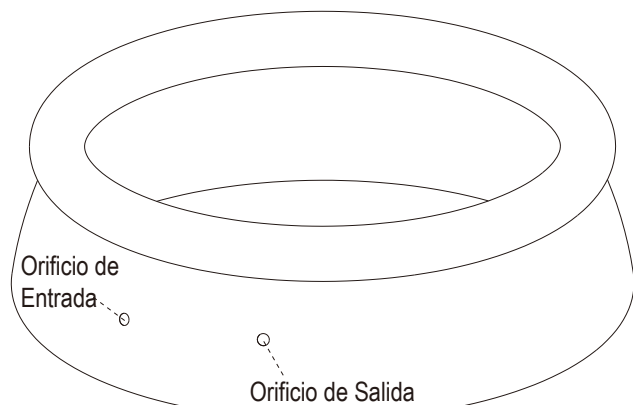
En caso de problemas, póngase en contacto con el servicio de atención al cliente en el (888) 919-0070, de L a V de 8h a 17h. MST. Los horarios de atención se amplían durante temporada alta.

INSTRUCCIONES DE MONTAJE

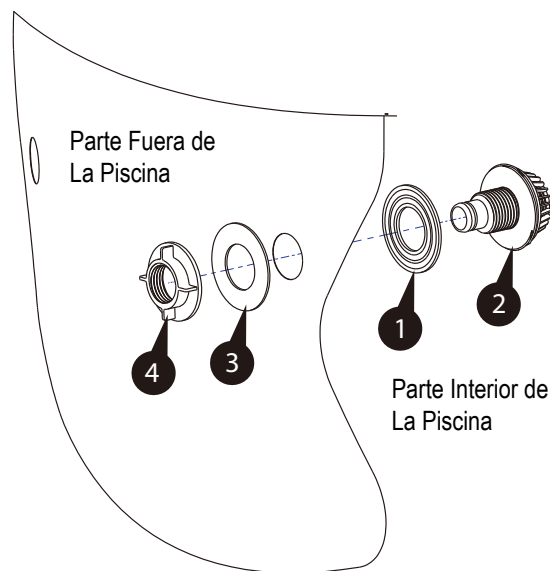
Antes de montar el producto, dedique unos minutos a revisar el contenido y familiarícese con todas las piezas.

⚠ ADVERTENCIA: COLOQUE ESTE PRODUCTO APARTADO DE LA PISCINA A FIN DE EVITAR QUE LOS NIÑOS SE SUBAN A ÉL Y ACCEDAN A LA PISCINA.

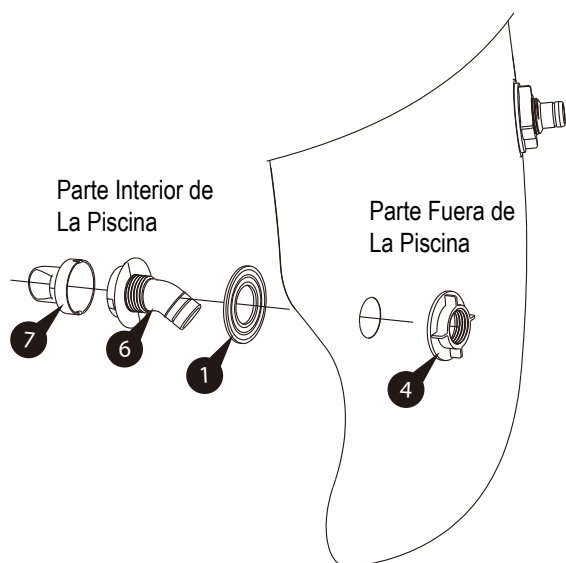
1. Coloque la piscina siguiendo todas las instrucciones suministradas con la misma. No la llene de agua hasta que haya instalado correctamente la bomba de filtración. Coloque los orificios de entrada y salida en la pared de la piscina.



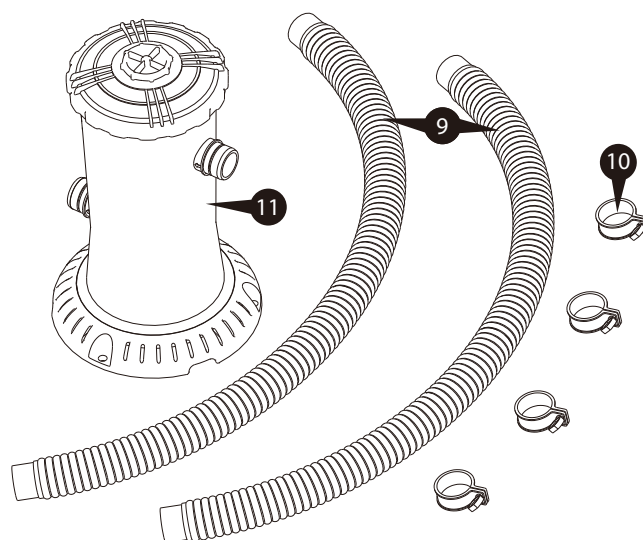
2. Instale el accesorio de succión en el orificio de salida de la piscina.



3. Coloque el accesorio de retorno en el orificio de entrada de la piscina.

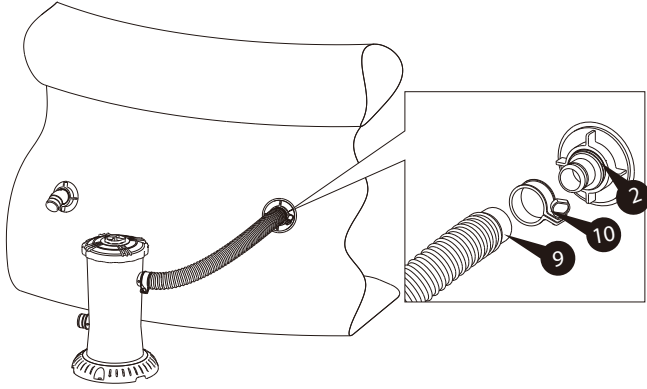


4. Remueva la bomba de filtración **11**, las mangueras **9** y las abrazaderas de las mangueras **10** del paquete.

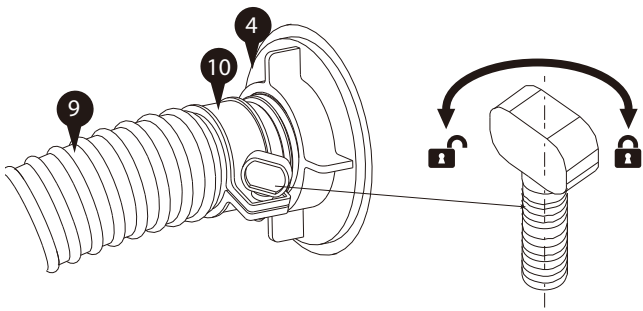


En caso de problemas, póngase en contacto con el servicio de atención al cliente en el (888) 919-0070, de L a V de 8h a 17h. MST. Los horarios de atención se amplían durante temporada alta.

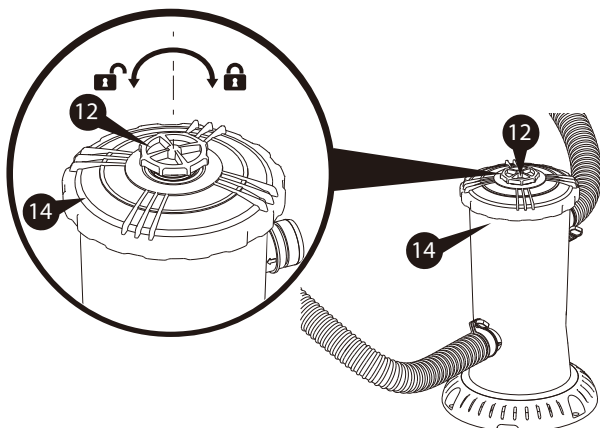
5. Conecte la manguera 9 Al accesorio de succión 2 a la entrada de la bomba del filtro.



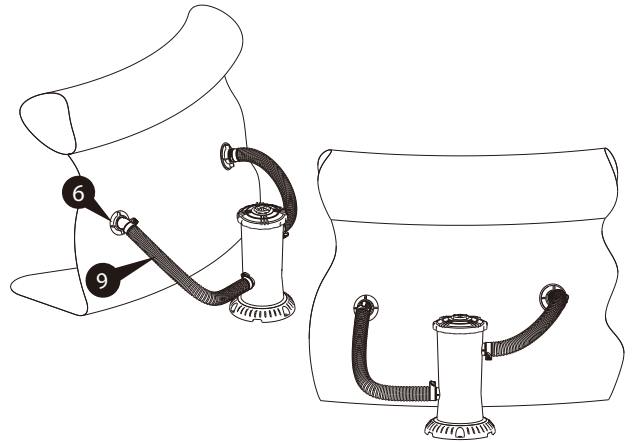
7. Apriete todas las abrazaderas de la manguera 10 para evitar la fuga de agua.



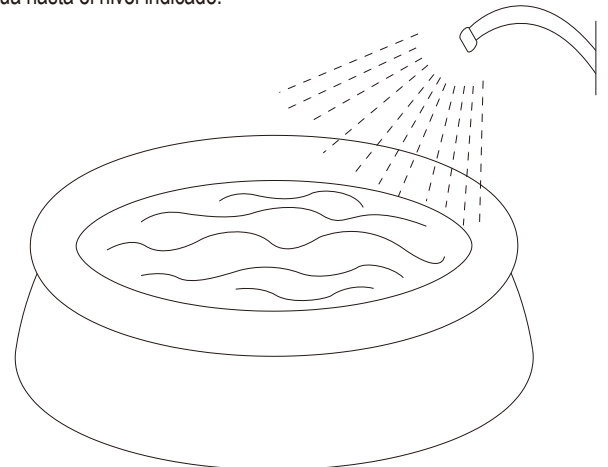
9. Ahora hay aire atrapado en el sistema de la bomba de filtración, lo que evitará que el agua fluya fácilmente. Para PURGAR el sistema (liberar el aire atrapado), abra el tornillo blanco 12 que está en la parte superior de la bomba girándolo en sentido antihorario. La presión del agua hará salir todo el aire atrapado dentro del sistema de la bomba de filtración. Apriete el tornillo blanco 12 cuando vea que el agua se sale por el tapón de seguridad 14.



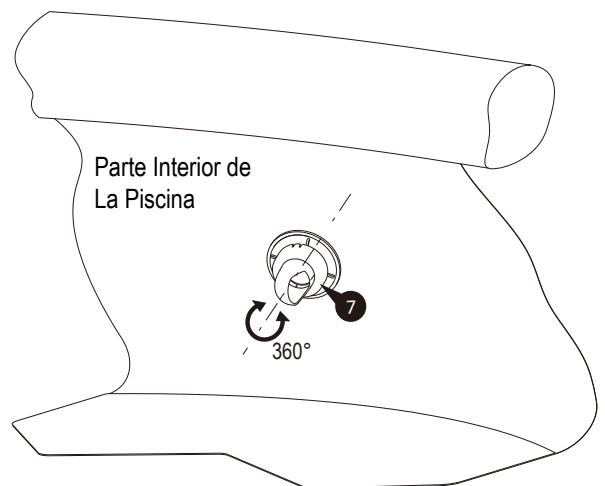
6. Conecte la manguera 9 del accesorio de retorno 6 de la piscina al orificio de salida de la bomba de filtro.



8. No enchufe la bomba de filtración todavía. Empiece a llenar la piscina de agua hasta el nivel indicado.



10. Ajuste el Desviador de la boquilla de retorno 7 para maximizar la circulación del agua de la piscina. Es necesario que el Desviador de Retorno a punte al lado opuesto del Skimmer.



FUNCIONAMIENTO DE LA BOMBA DE FILTRACIÓN

1. Enchufe el cable de alimentación con disyuntor diferencial a un receptáculo que esté correctamente conectado a tierra a 4,5 m de distancia, como mínimo, de la piscina.
2. **IMPORTANTE:** Para arrancar la bomba de filtración, pulse el botón RESET (reinicio) situado en el enchufe del disyuntor diferencial **27**.
3. Mire el accesorio de retorno que está dentro de la piscina para comprobar que el flujo es correcto, debe sentir como un chorro de agua constante entrando en la piscina. Puede utilizar el flujo de retorno como indicador para determinar cuándo es necesario limpiar el filtro o sustituirlo. Si nota que el flujo se reduce, límpielo o sustitúyalo.
4. Pruebe el agua y ajuste según corresponda, lea "TRATAMIENTO DEL AGUA DE LA PISCINA". **MUY IMPORTANTE: LA BOMBA DE FILTRACIÓN POR SÍ MISMA NO EVITARÁ LA APARICIÓN DE ALGAS EN EL AGUA DE LA PISCINA; ESTO SOLO PUEDE EVITARSE MANTENIENDO EL NIVEL ADECUADO DE CLORO Y pH EN TODO MOMENTO.**
5. Será necesario limpiar y/o sustituir el cartucho filtrante varias veces al principio hasta lograr un nivel correcto de cloro y pH. Le recomendamos que tenga siempre a mano al menos un cartucho filtrante de repuesto. Puede comprar los cartuchos filtrantes en la tienda donde compró la piscina o pedirlos a Polygroup® en polygroupstore.com.
6. Para apagar la bomba de filtración, desenchufe el cable de alimentación con disyuntor diferencial **27**.

Cómo utilizar el tapón del GFCI

Pulse el botón "RESET" para arrancar la bomba



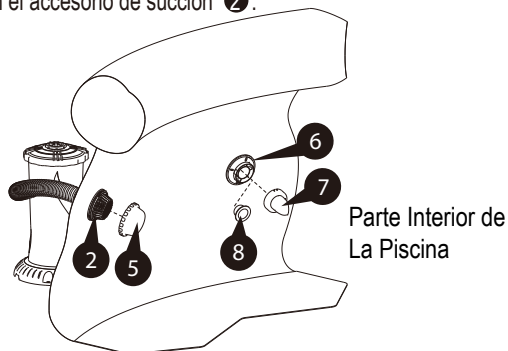
*No conectar a un temporizador

PROTECCIÓN DEL MOTOR DE LA BOMBA

¡IMPORTANTE! La bomba de filtración está protegida con un interruptor térmico. El interruptor capta la temperatura de la bomba de filtración. Si se calienta demasiado, el interruptor parará el funcionamiento de la bomba hasta que se enfríe. Una vez se haya enfriado, la bomba de filtración volverá a funcionar automáticamente. Se trata de un dispositivo de seguridad que sirve para evitar que la bomba se dañe y ampliar su vida útil. Si la bomba se apaga automáticamente, es porque la temperatura del agua de la piscina es elevada y/o porque el flujo de agua que pasa por la bomba es escaso. Si esto ocurre, tiene que comprobar el flujo de agua y corregirlo si es necesario, ya que esta bomba de filtración utiliza el flujo de agua para enfriarse. Si quiere, también puede poner en funcionamiento la bomba durante la noche, cuando la temperatura es más baja.

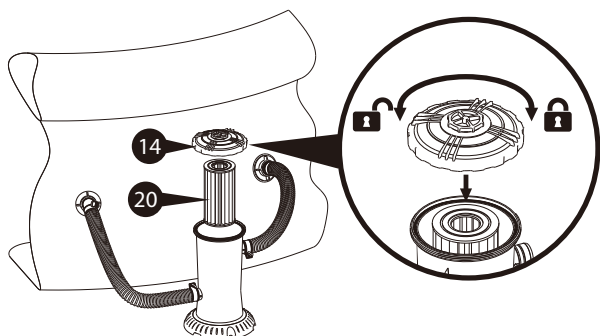
LIMPIEZA Y SUSTITUCIÓN DEL CARTUCHO FILTRANTE

1. Desenchufe la bomba de filtración. Quite el desviador RF **7** del accesorio de retorno **6** y enchufe la tapadera de succión RF **8**. Apriete manualmente el tapón SF **5** en el accesorio de succión **2**.

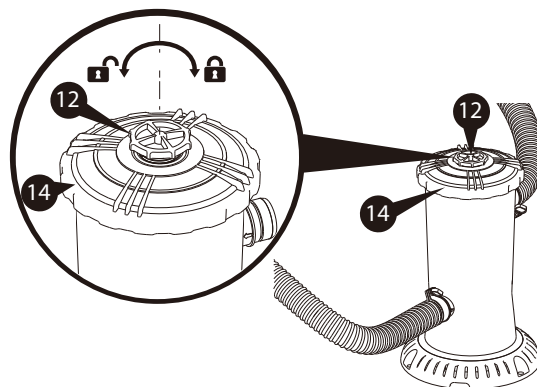


Parte Interior de La Piscina

3. Utilice las dos manos para girar el tapón de sello **14** en sentido antihorario. Retire el cartucho filtrante **20**.



2. Para despresurizar el sistema de la bomba de filtración, púrguela girando el tornillo blanco **12** en sentido antihorario.



4. Cuando haya terminado de limpiar el cartucho filtrante, lubrique generosamente el empaque **16** con vaselina y vuelva a montarlo siguiendo el orden inverso. Antes de reiniciar la bomba del filtro, asegúrese de retirar el TAPÓN RF **8** y la TAPA SF **5**.

5. La suciedad gruesa del cartucho filtrante puede limpiarse con una manguera a presión por dentro y por fuera, asegurándose de limpiar entre cada pliegue. Es más fácil eliminar las finas partículas de suciedad de los pliegues del filtro cuando el cartucho está seco. Por tanto, después de limpiar el cartucho con la manguera, deje que el filtro se seque y CEPÍLLELO CUIDADOSAMENTE, para no dañar el cartucho del filtro. Limpiar y cepillar un filtro con demasiada intensidad también desgasta el cartucho más pronto que si simplemente le pasa correctamente la manguera.

En caso de problemas, póngase en contacto con el servicio de atención al cliente en el (888) 919-0070, de L a V de 8h a 17h. MST. Los horarios de atención se amplían durante temporada alta.

- Los aceites bronceadores y corporales y las algas forman una capa sobre los pliegues del filtro que quizás no pueda eliminar con la manguera. Estas películas de aceite y/o algas atascarán rápidamente los poros del filtro, reduciendo en gran medida la filtración. Es por ello muy importante que elimine dicho material del filtro lo antes posible. Para eliminar el aceite, le recomendamos empapar el cartucho en una solución de 454 g de fosfato sódico (o cualquier otro detergente fuerte) en 5 galones (19 l) de agua durante 12 horas como máximo. El fosfato sódico está disponible en muchos supermercados, ferreterías o tiendas de suministros de limpieza. Una vez eliminado el aceite, enjuague el cartucho filtrante para eliminar cualquier suciedad. Si las algas son un problema, añada ½ pinta de cloro o 1 pinta de lejía líquida doméstica a la solución limpiadora 1 hora antes de sacar el cartucho filtrante de la solución. Enjuague bien el cartucho filtrante antes de volver a colocarlo dentro de la carcasa. Compruebe la química de la piscina para determinar la causa del crecimiento de algas.
- El cartucho filtrante puede acumular depósitos de cal y/o minerales en exceso, en este caso, el tratamiento debe ser diferente. Póngase en contacto con su proveedor local de suministros para piscinas para que le informe sobre otros tipos limpiadores de cartuchos o tratamientos para los depósitos de cal o minerales. Compruebe la química de la piscina para ver si el pH o la alcalinidad son elevados; esto puede provocar depósitos de cal o minerales.
- Un cartucho filtrante de repuesto en reserva **20** es una inversión excelente. Es una forma cómoda de seguir filtrando su piscina mientras limpia o sustituye el cartucho sucio **20**. Además, un cartucho limpio y con un buen mantenimiento le garantiza un filtro siempre listo para funcionar con la máxima eficiencia.
- Puede comprar los cartuchos filtrantes en la tienda donde compró la piscina o pedirlos a Polygroup®. Sustitúyalos siempre por auténticos cartuchos filtrantes SUMMER WAVES® de Polygroup®.

MANTENIMIENTO DE LA PISCINA

- Compruebe y ajuste cada día los niveles de pH y cloro utilizando los productos químicos adecuados. Consulte la sección "TRATAMIENTO DEL AGUA DE LA PISCINA".
- Compruebe la salida de la bomba filtrante a diario. Si el flujo se reduce, consulte el síntoma 2 en la sección "GUÍA DE RESOLUCIÓN DE PROBLEMAS".
- Compruebe si hay alguna fuga en la bomba filtrante, las mangueras y los accesorios. Si encuentra una fuga, consulte el síntoma 4 en la sección "GUÍA DE RESOLUCIÓN DE PROBLEMAS".
- Prenda el motor/bomba en las horas recomendables diariamente. Si está inseguro del tiempo requerido por favor haga referencia a support.polygroupstore.com para las "Horas de Operación para su Motor", que basa en los tipos de piscinas y tamaños.

TRATAMIENTO DEL AGUA DE LA PISCINA

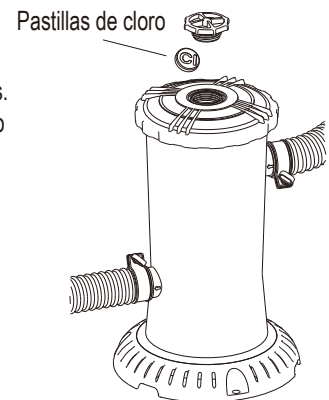
- Los siguientes artículos son necesarios y puede encontrarlos en su tienda local de suministros para piscinas:
 - KIT DE PRUEBA. Se utiliza para comprobar los niveles de cloro y pH.
 - PASTILLAS DE CLORO. Se usan para desinfectar el agua de la piscina y ayudan a controlar el crecimiento de algas.
 - PRODUCTOS QUÍMICOS PARA CONTROLAR EL pH. Se utilizan para ajustar el nivel de pH hacia arriba (carbonato de sodio) o hacia abajo (ácido).
 - ALGUICIDAS. Se utilizan para eliminar las algas.
 - SUPERCLORADOR. Se utiliza para destruir la combinación de cloro, amoníaco, nitrógeno y compuestos orgánicos.
 - RED PARA HOJAS con mango. Se utiliza para quitar hojas, suciedad, insectos, etc. de la piscina.
 - DISPENSADOR DE CLORO (suministrado con el cartucho filtrante patentado de Polygroup® con la patente de EE. UU. 7.005.062) - Se utiliza para dispensar pastillas de cloro de 2,54 cm.
- Utilice el kit de prueba cada día para comprobar los niveles de pH y cloro. Ajuste según corresponda utilizando los productos químicos adecuados.

NOTA: Un nivel excesivo de cloro o un nivel muy bajo de pH dañarán el revestimiento de la piscina.

- Se puede limpiar la piscina con una manguera de aspiración de jardín de Polygroup® o comprarla en una tienda de suministros para piscina.
- Utilizar un pediluvio cerca de la piscina para lavarse los pies antes de entrar ayudará a mantener la piscina limpia.
- El agua de pozo puede presentar problemas especiales con la química del agua. Si tiene que usar agua de pozo, lleve una muestra a su proveedor local de productos químicos para piscinas para que añada CUALQUIER sustancia química.
- Consulte el MANUAL DE INSTRUCCIONES DE LA PISCINA para saber su capacidad. Necesitará esa información para determinar la cantidad de producto químico que es necesario para corregir el agua de su piscina. **NOTA:** Se recomienda utilizar un cubo de agua de 19 litros para mezclar y disolver los productos químicos y, luego, aplicarlos directamente al agua de la piscina. Seguir directamente las instrucciones de la etiqueta del fabricante. *La mayoría de las tiendas de suministros para piscinas le harán una prueba del agua de su piscina gratuitamente y le aconsejarán sobre qué productos químicos debe utilizar para su piscina. Tendrá que decirles la capacidad de la piscina en galones.
- IMPORTANTE.** No podemos resaltar lo suficiente la importancia que tiene el tratamiento químico adecuado diario. Los niveles de cloro y pH deben mantenerse adecuadamente de forma puntual. LA BOMBA Y EL FILTRO POR SÍ MISMOS NO EVITARÁN LA APARICIÓN DE ALGAS EN EL AGUA DE LA PISCINA; ESTO SOLO PUEDE EVITARSE MANTENIENDO EL NIVEL ADECUADO DE CLORO Y pH EN TODO MOMENTO.
 - Mantenga el nivel de pH entre 7,3 y 7,8.
 - Mantenga el nivel de cloro entre 1,0 y 1,6 ppm (partes por millón).
 - Debe superclorinar su piscina al menos una vez cada dos semanas.

NOTA:

- El clima cálido/uso intensivo pueden requerir unos niveles de pH y cloro situados en la parte alta de la escala y el super clorinación de la piscina.
- Utilizar una cubierta de piscina y/o una cubierta térmica (disponible en polygroupstore.com) ayudará a mantener los niveles de pH y cloro reduciendo la cantidad de evaporación de la piscina. **CAUTION.** El nivel de cloro concentrado y el nivel de pH dañarán la piscina. Debe seguir las instrucciones de cantidad y uso recomendado de los productos químicos que utiliza para la piscina. **NUNCA** deje caer terrones o comprimidos de productos químicos en la piscina; esto puede suponer un riesgo para los nadadores y/o dañar el recubrimiento de la piscina.



GUÍA DE RESOLUCIÓN DE PROBLEMAS

⚠ ADVERTENCIA: DESENCHUFE EL CABLE DE ALIMENTACIÓN ANTES DE SOLUCIONAR CUALQUIER PROBLEMA EN LA BOMBA DE FILTRACIÓN.

PROBLEMA		CAUSA	SOLUCIÓN
1	El motor no arranca o arranca y se apaga	A La unidad no está enchufada o el disyuntor diferencial no está activado	A La unidad debe estar enchufada a un tomacorriente conectado a tierra. Pulse el botón de reinicio (reset) situado en el disyuntor diferencial para arrancar la bomba.
		B El tapón del disyuntor diferencial y/o el interruptor de circuito se ha desconectado	B Reinicie el enchufe del disyuntor y/o el interruptor de circuito. Si el problema continúa, lleve el circuito a un electricista cualificado para que lo revise.
		C Voltaje bajo	C Compruebe la tensión de alimentación, debe ser de entre 105 y 125 V.
2	El flujo de agua que pasa a través del accesorio de retorno es muy escaso o inexistente.	A El nivel del agua de la piscina es bajo	A Llene la piscina hasta la línea. El accesorio de succión debe estar como mínimo 4" (10,16 cm) por debajo del agua.
		B Orificio de entrada/salida atascado	B Compruebe si hay obstrucción(es) en los accesorios de succión y retorno.
		C El cartucho filtrante está sucio	C Limpie o sustituya el cartucho filtrante. Un cartucho de repuesto facilita el mantenimiento.
3	La bomba de filtración no limpia la piscina adecuadamente (agua turbia, verde, etc.)	A Nivel de cloro	A Mantenga el nivel de cloro entre 1,0 y 1,6 ppm.
		B Nivel de pH	B Mantenga el nivel de pH entre 7,3 y 7,8.
		C El cartucho filtrante está sucio	C Limpie o sustituya el cartucho filtrante.
		D El cartucho filtrante está dañado	D Compruebe si el filtro está dañado o tiene agujeros. Sustitúyalo por un filtro nuevo inmediatamente.
		E Flujo de agua es lento	E Compruebe si hay obstrucción(es) en los accesorios de succión y retorno.
		F Hacen falta otros productos químicos	F una muestra del agua de la piscina a una tienda de suministros para piscina para que le hagan una prueba. Busque opiniones acerca de otros productos químicos de tratamiento de agua.
		G El agua de la piscina está muy sucia	G Encienda la bomba más a menudo, pero nunca cuando esté en uso. Limpie/sustituya el cartucho filtrante más a menudo.
4	Fuga de agua	A Manguera de succión/retorno	A Apriete las abrazaderas de las mangueras. Compruebe las juntas tóricas de los accesorios de succión/retorno. Compruebe si las mangueras están dañadas. Sustituir si es necesario.
		B Tornillo Blanco	B Compruebe si la junta tórica 13 está dañada. Sustituir si es necesario. Apriete el tornillo de la válvula de purga 12 .
		C Tapón de sello	C Compruebe si la junta tórica 16 está dañada. Sustituir si es necesario. Apriete la parte superior del cierre 14 .
		D Base	D Compruebe si la junta tórica 16 está dañada. Sustituir si es necesario. Apriete la base 15 .

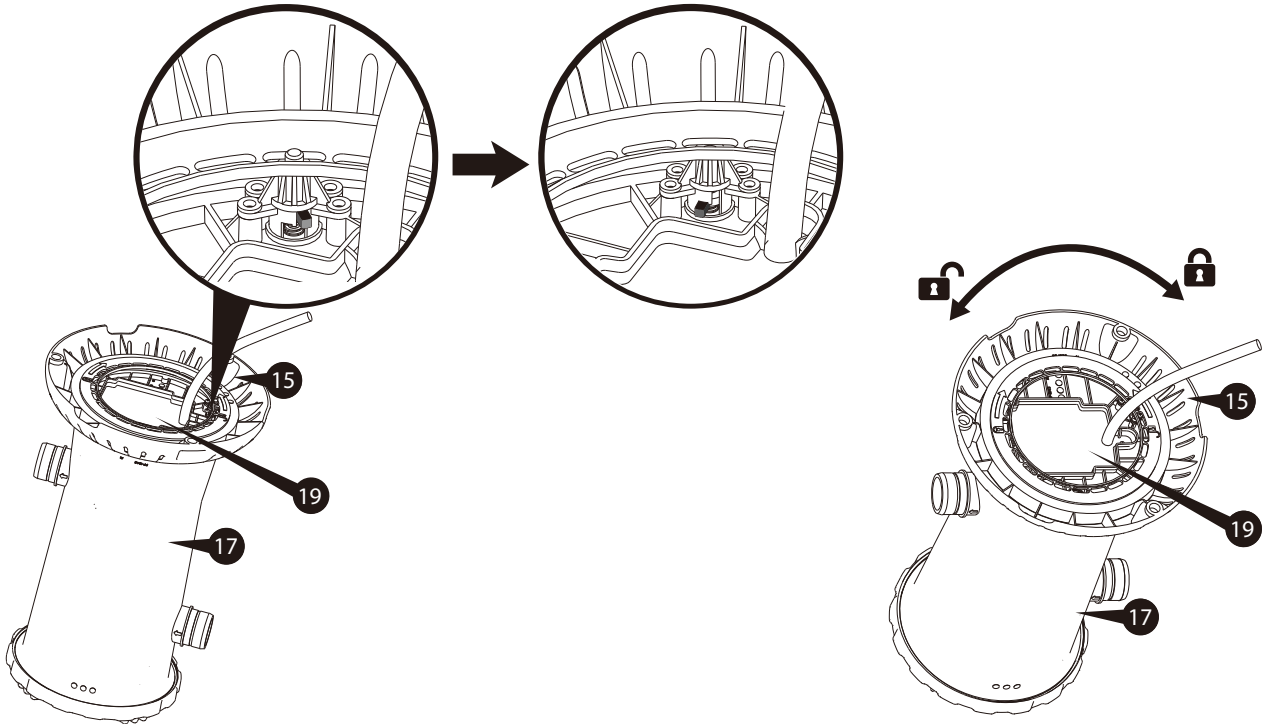
DESMONTAJE Y ALMACENAMIENTO DE LA BOMBA DE LA PISCINA

- Desenchufe la bomba de filtración de potencia. Quite el Desviador de la boquilla de retorno **7** del accesorio de retorno **6** y a continuación, enchufe el accesorio de retorno **6** con el tapón (uso para servicio solamente) **8**. Ahora, apriete manualmente la Tapadera de succión (tapón SF) **5** situado en el accesorio de succión **2**.
- Desatornille lentamente el tornillo blanco **12** del tapón de Sello **14** y deje que la bomba filtrante se despresurice.
- Quite el tapón de seguridad **14** girándolo en sentido antihorario.
- Remueva el cartucho filtrante **20** / **21** y saque las pastillas de cloro que estén en el interior del filtro.
- Afloje las cuatro abrazaderas de las mangueras **10**, saque las mangueras **9** y deje que el agua se drene.
- Limpie y seque todas las piezas de la bomba filtrante, incluyendo los cartuchos filtrantes.
- Lubrique liberalmente con vaselina las Empaque para el Cartucho **16**, el tapón de sello **14** y el Anillo negro para el tornillo **13** y luego vuelva montarlo con el tapón de sello **14** y el tornillo blanco **12** con vaselina. Después guarde todas las piezas del filtro con cuidado.

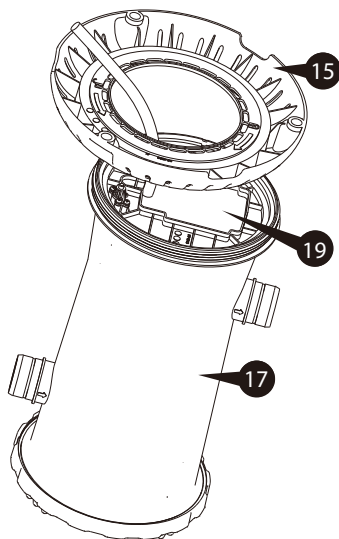
En caso de problemas, póngase en contacto con el servicio de atención al cliente en el (888) 919-0070, de L a V de 8h a 17h.
MST. Los horarios de atención se amplían durante temporada alta.

INSTRUCCIONES PARA REEMPLAZAR EL MOTOR Y PARA SOLUCIONAR PROBLEMAS

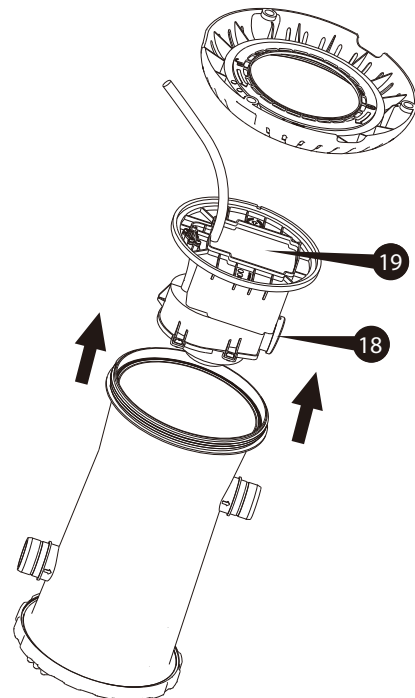
1. Desenchufe la bomba de filtración. Quite el distribuidor RF **7** del accesorio de retorno **6** y, a continuación, enchufe el accesorio de retorno **6** con el tapón RF **8**. Apriete manualmente el tapón SF **5** en el accesorio de succión **2**.
2. Para despresurizar el sistema de la bomba de filtración, púrguela girando el tornillo de purga **12** en sentido antihorario.
3. Afloje las abrazaderas de la manguera **10** en la entrada y salida de la bomba del filtro. Suelte ambas mangueras **9** de la bomba del filtro.
4. Ponga la bomba del filtro boca abajo. Ahora la base **15** está bloqueada por una palanca de seguridad. Para desbloquearla, empuje la palanca de seguridad hacia abajo y, luego, gírela hacia izquierda. Suelte la base **15** del depósito **17** girándola hacia la izquierda.



5. Retire la base **15** del depósito **19**.



6. Retire el mecanismo del motor **19** del depósito **16**. Tenga cuidado de no perder la boquilla de goma **18**.

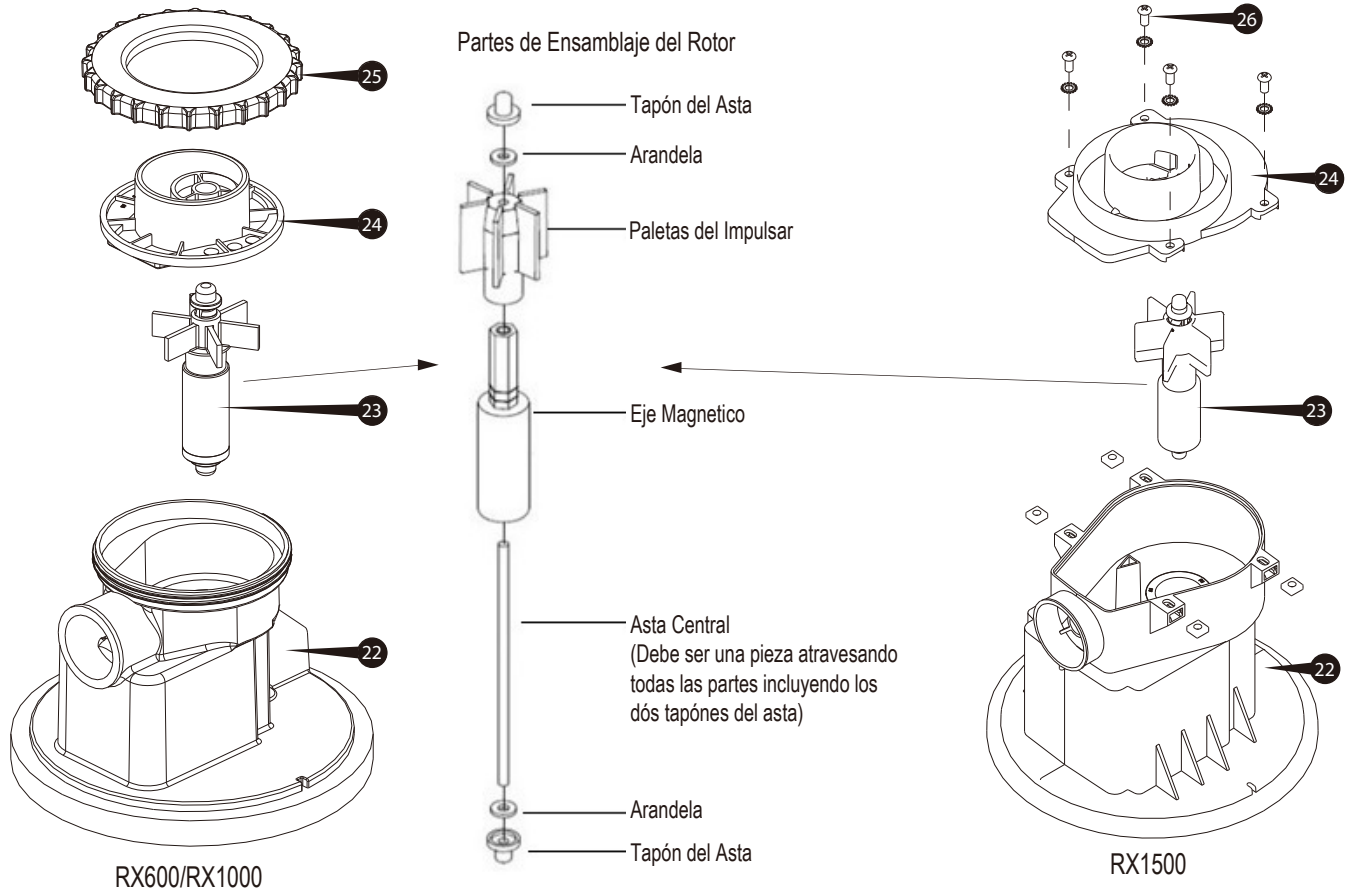


En caso de problemas, póngase en contacto con el servicio de atención al cliente en el (888) 919-0070, de L a V de 8h a 17h. MST. Los horarios de atención se amplían durante temporada alta.

INSPECCIÓN DEL ROTOR E INSTRUCCIONES DE REEMPLAZO

1. Para sustituir el ensamblaje del rotor **23**, retire la tapadera de la voluta **24** y saque el ensamblaje del rotor **23** del montaje del motor **22**. Inspeccione el ensamblaje del rotor **23** para asegurarse que tenga todas sus partes consiguientes y que el asta central, el eje magnetico, y que las paletas del impulsor no esten quebradas. Si su rotor esta quebrado, el ensamblaje completo puede ser comprado en polygroupstore.com sin tener que reemplazar todo el motor/bomba.
2. Por favor vea Pool Support- Guía de Resolución de Problemas para el sistema de filtración RX en support.polygroupstore.com.

POR FAVOR NOTE: Aún si el ensamblaje del motor no está asentado corectamente en el motor puede detenerse y no funcionará corectamente.



3. Ya que ha revisado el rotor o lo ha cambiado, lentamente inserte el ensamblaje del rotor **23** en el motor/bomba **22**. Tenga cuidado ya que el iman jalará el rotor adentro de la bomba/motor.
4. Alinee el asta central y cierra la tapdera de la voluta con la tuerca de la voluta **24** y los tornillos.
5. Pegue la boquilla de goma **18** a la salida del motor. Para completar el montaje, siga las instrucciones para reemplazar el motor.

INSTRUCCIONES PARA REEMPLAZAR EL MOTOR

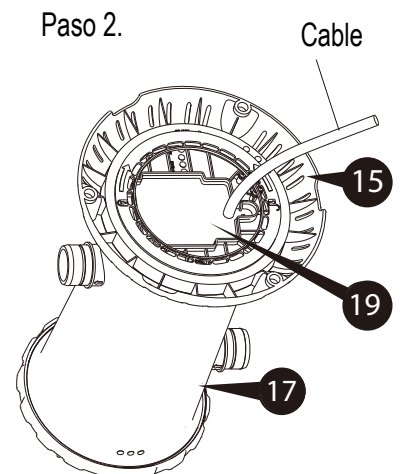
1. Lubrique el empaque del contenedor **16** (si se necesita) e insértelo en la ranura de abajo de la caja de filtro **17**.

Paso 1.



2. Por favor asegúrese que el cable haya atravesado la base de la caja del filtro **15** antes de reemplazar el motor. **19**. Después inserte el motor lentamente **19** en la caja de filtro **17**.

Paso 2.

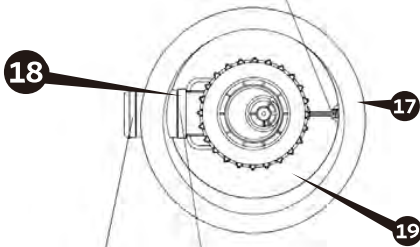


Si confronta cualquier problema, contacte al Servicio al Cliente a (888) 919-0070 de 8 AM to 5 PM Lunes a Viernes MST. Días y horas extendidas pueden ocurrir durante la temporada.

3. Por favor asegúrese que la boquilla de goma **18** este alineada con la apertura donde se conecta la manguera. Si no está alineada correctamente puede cerrar pero escurrirá agua.

VISTA HACIA ARRIBA DE LA CAJA DE FILTRO Y DEL MOTOR

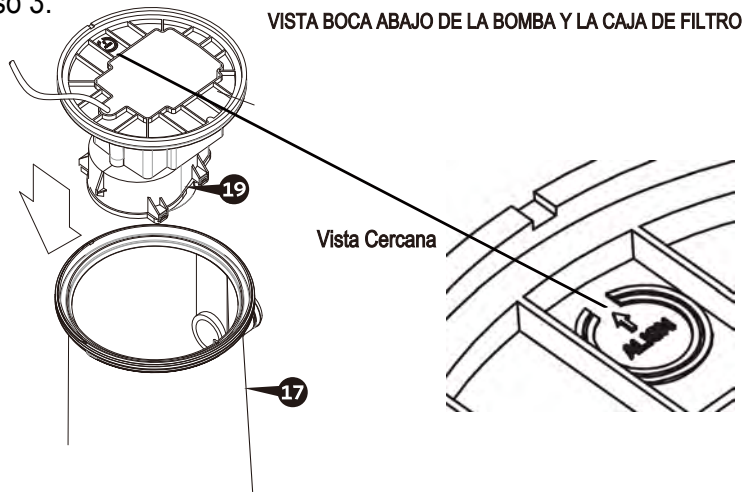
Asegúrese que la boquilla de goma este alineada



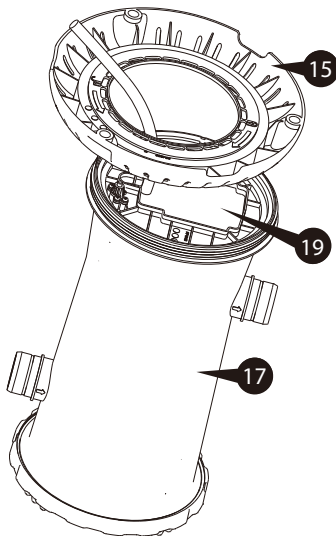
Salida de la caja de filtro alineada con la boquilla de goma de la bomba/motor **18**. Salida de la caja de filtro alineada con la boquilla de goma de la bomba/motor.

Paso 3.

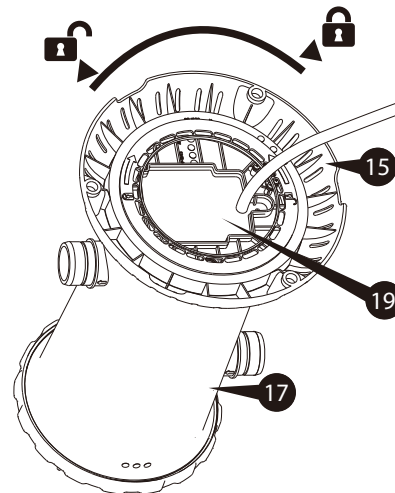
VISTA BOCA ABAJO DE LA BOMBA Y LA CAJA DE FILTRO



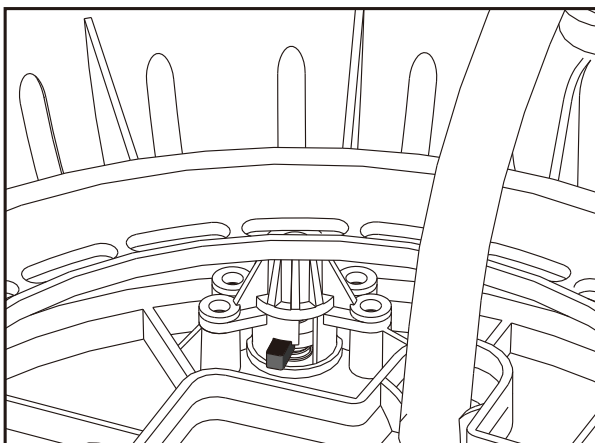
4. Ya que este la bomba/motor **19** alineado correctamente, también asegúrese que el empaque **16** este alineado. Suba la tuerca selladora hacia la base de la caja del filtro **15** y cuidadosamente apriete la rosca asegurándose de no barrerla. Si la barrer puede causar que el agua se fugue.



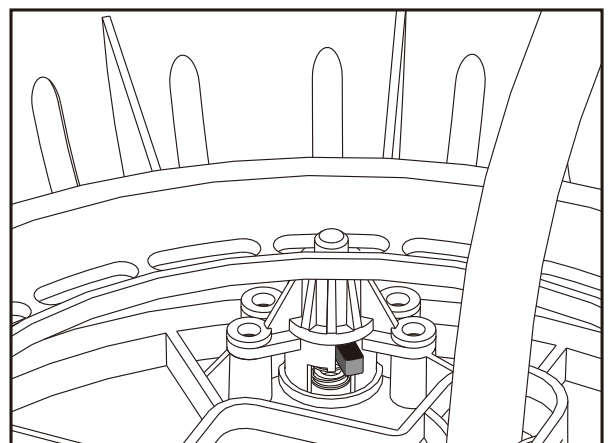
Paso 4.



5. Para cerrar la base con llave, aplique el pasador rojo girando hacia la derecha.



Paso 5.



Si confronta cualquier problema, contacte al Servicio al Cliente a (888) 919-0070 de 8 AM to 5 PM Lunes a Viernes MST. Días y horas extendidas pueden ocurrir durante la temporada.

INFORMACIÓN SOBRE EL PEDIDO DE PIEZAS DE REPUESTO

CLAVE	DESCRIPCIÓN	RX-600	RX-1000	RX-1500
		N.º DE PIEZA		
1	Junta para racor	P58PF1520K01	P58PF1520K01	P58PF1520K01
2	Accesorio de succión	P58281283W05	P58284283W05	P58284283W05
3	Arandera del accesorio de succión (arandela SF)	P58PF1510K01	P58PF1510K01	P58PF1510K01
4	Contratuerca del accesorio	P58PF1430W05	P58PF1430W05	P58PF1430W05
5	Tapón del accesorio de succión (tapón SF)	P58PF2820P01	P58PF2820P01	P58PF2820P01
6	Accesorio de retorno	P58PF7800W05	P58PF7780W05	P58PF7780W05
7	Distribuidor del accesorio de retorno (distribuidor RF)	P58PF7790W05	P58PF7790W05	P58PF7790W05
8	Tapón del accesorio de retorno (tapón RF)	P58PF0620K01	P58PF0620K01	P58PF0620K01
9	Manguera	P58125036W01	P58150036W01	P58150036W01
10	Abrazadera de la manguera	P58220221W05	P58219221W05	P58219221W05
12	Tornillo de purga	P58182201W05	P58182201W05	P58182201W05
13	Junta tórica del tornillo de purga	P58182501K01	P58182501K01	P58182501K01
14	Tapón de cierre	P58PF1007W05	P58PF1007W05	P58PP1853W05
15	Base	P58100740W05	P58PF1013W05	P58183901W05
16	Junta del cartucho	P58147800K01	P58147800K01	P58164800K01
17	Caja de la bomba del filtro	P5810030AW05	P58PF1006W05	P58PP1840W05
18	Boquilla	P58182601K01	P58182601K01	P58185201K01
19	Conjunto del motor	P58X600C0000	P58X1000C000	P58X1501C000
20	Cartucho filtrante tipo D	P581041037PR		
	Cartucho filtrante tipo CA		P581041080PR	P581041080PR
23	Conjunto del rotor	P58050137001	P58050505001	P58050506001
24	Tapa de la voluta	P58PF1009K01	P58PF1009K01	P58184501K01
25	Contratuerca de la tapa de la voluta (X-600 y X-1000)	P58PF1010K01	P58PF1010K01	
26	Conjunto de perno y tuerca de la tapa de la voluta (solo X-1500)			P5800400080A
28	Salida de la bomba del filtro / Junta tórica de ajuste	P58030001K01	P58037000K01	P58037000K01
*	Manguera de 1,50 m	P584150006W1	P584150006W1	P584150006W1
*	Adaptador de válvula de goma de 1-1/4" a 1-1/2"	P58PF5620P01	P58PF5620P01	P58PF5620P01

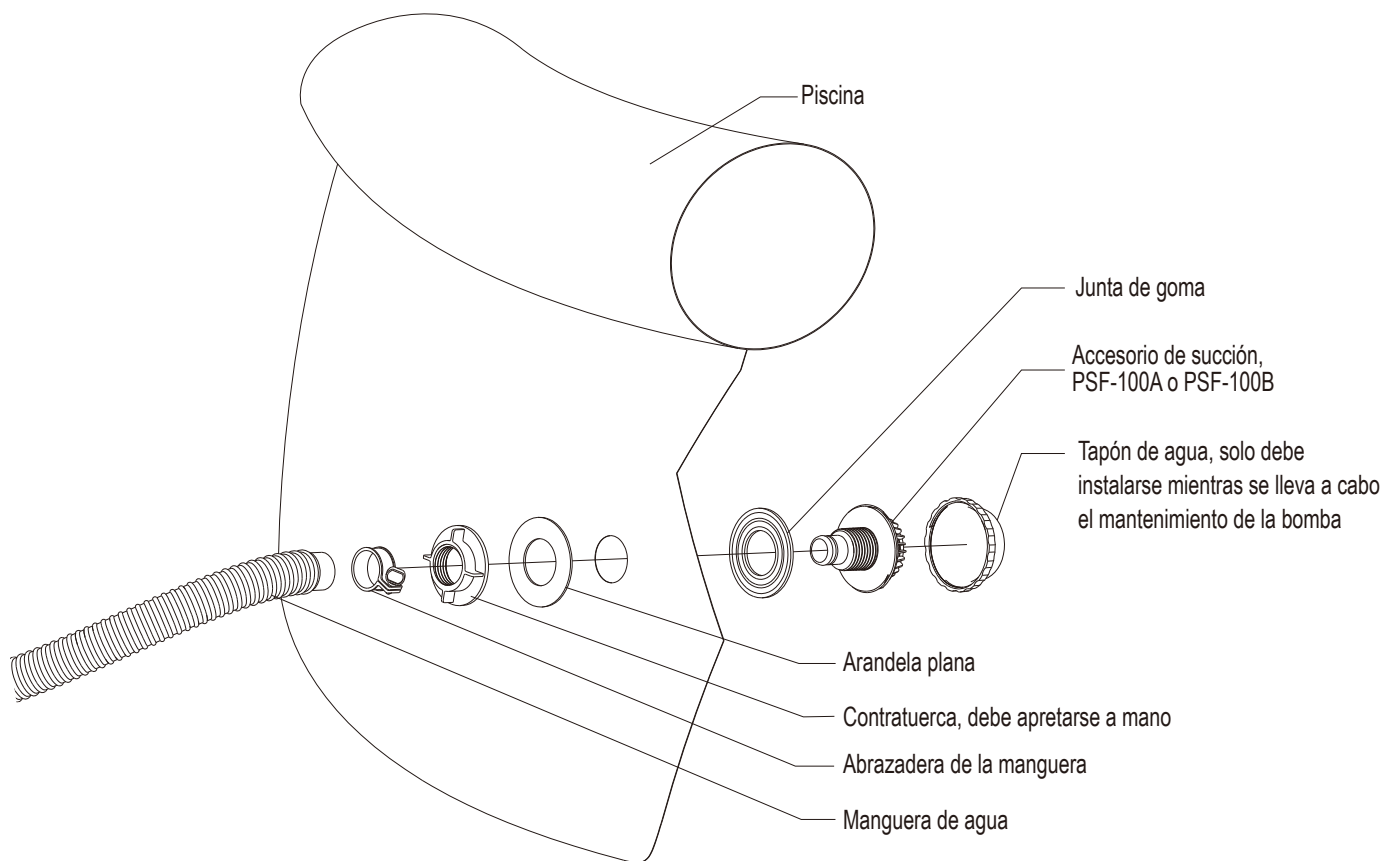
* Se vende por separado para las bombas de filtro de la serie RX

En caso de problemas, póngase en contacto con el servicio de atención al cliente en el (888) 919-0070, de L a V de 8h a 17h. MST. Los horarios de atención se amplían durante temporada alta.

INFORMACIÓN SOBRE EL ACCESORIO DE SUCCIÓN EN CONFORMIDAD CON ASME

PSF-100AAND PSF-100B ORIFICIO DE SALIDA DE SUCCIÓN (PARA PISCINAS SOBRE SUELO)

1. Los orificios de salida de succión PSF-100A y PSF-100B tienen la certificación de la IAPMO de acuerdo con la norma ASME/ANSI A1 12.19.8b-2009 Accesorio de succión para piscinas, piscinas infantiles, spas y bañeras de hidromasaje.
2. Se trata de un orificio de salida de succión sumergido que se utiliza en piscinas por encima del nivel del suelo.
3. Solo para drenaje individual. Utilice solo UN orificio de salida en cada bomba.
4. No coloque este orificio de salida de succión en zonas para sentarse o en el respaldo de dicha zona.
5. Instale este orificio de salida en el lugar recomendado por el fabricante de la piscina.
6. El caudal máximo permitido de este orificio de salida de succión es de 45 galones por minuto (2700 galones o 10 220,6 litros por hora).
7. Manguera de conexión:
 - El modelo PSF-100-A debe conectarse a una manguera con un diámetro de 1 1/4" (31,8 mm).
 - El modelo PSF-100-B debe conectarse a una manguera con un diámetro de 1 1/2" (38,1 mm).
8. El orificio de salida de succión debe montarse en la abertura especificada por el fabricante de la piscina situada por encima del nivel del suelo. El diámetro de esta abertura deberá ser de entre 1,77" y 1,85" (entre 45 mm y 47 mm). Consulte en el siguiente diagrama las instrucciones de montaje detalladas:



9. El orificio de salida de succión PSF-100A o PSF-100B debe sustituirse cada 5 años.
10. No es necesario utilizar herramientas para la instalación.
11. Instrucciones de mantenimiento y acondicionamiento para el invierno

¡ATENCIÓN! NO SUPERE EL CAUDAL MÁXIMO PERMITIDO:

1. 45 galones por minuto (2700 galones o 10 220,6 l por hora).
2. Observe e inspeccione con atención el orificio de salida de succión para ver si está dañado o alterado cada vez que vaya a utilizar la piscina.
3. Los orificios de salida de succión perdidos, rotos o agrietados deben sustituirse antes de utilizar la piscina.
4. Si el accesorio de succión está suelto hay que volver a conectarlo o sustituirlo antes de utilizar la piscina.
5. Retire y guarde el conjunto del orificio de salida de succión si la temperatura baja a menos de 0 °C (32 °F).

En caso de problemas, póngase en contacto con el servicio de atención al cliente en el (888) 919-0070, de L a V de 8h a 17h.
MST. Los horarios de atención se amplían durante temporada alta.